



DEPARTMENT OF REGULATORY AND ECONOMIC RESOURCES (RER)
BOARD AND CODE ADMINISTRATION DIVISION

NOTICE OF ACCEPTANCE (NOA)

MIAMI-DADE COUNTY, FLORIDA
PRODUCT CONTROL SECTION

11805 SW 26 Street, Room 208
T (786) 315-2590 F (786) 315-2599

www.miamidade.gov/economy

PGT Industries, Inc.
1070 Technology Drive
North Venice, FL 34275

SCOPE:

This NOA is being issued under the applicable rules and regulations governing the use of construction materials. The documentation submitted has been reviewed and accepted by Miami-Dade County RER-Product Control Section to be used in Miami-Dade County and other areas where allowed by the Authority Having Jurisdiction (AHJ).

This NOA shall not be valid after the expiration date stated below. The Miami-Dade County Product Control Section (In Miami-Dade County) and/ or the AHJ (in areas other than Miami-Dade County) reserve the right to have this product or material tested for quality assurance purposes. If this product or material fails to perform in the accepted manner, the manufacturer will incur the expense of such testing and the AHJ may immediately revoke, modify, or suspend the use of such product or material within their jurisdiction. RER reserves the right to revoke this acceptance, if it is determined by Miami-Dade County Product Control Section that this product or material fails to meet the requirements of the applicable building code.

This product is approved as described herein, and has been designed to comply with the Florida Building Code, including the High Velocity Hurricane Zone.

DESCRIPTION: Series "FD-5555" Outswing PVC French Door w/ & w/o Sidelite and Transom – L.M.I.

APPROVAL DOCUMENT: Drawing No. **MD-555.1**, titled "Vinyl French Door and SLT/ TR", sheets 1 through 12 of 12, dated 05/07/13, with revision **C** dated 04/10/17, prepared by manufacturer, signed and sealed by Anthony Lynn Miller, P.E., bearing the Miami-Dade County Product Control Revision stamp with the Notice of Acceptance number and expiration date by the Miami-Dade County Product Control Section.

MISSILE IMPACT RATING: Large and Small Missile Impact Resistant

LABELING: Each unit shall bear a permanent label with the manufacturer's name or logo, city, state, series, and following statement: "Miami-Dade County Product Control Approved", unless otherwise noted herein.

RENEWAL of this NOA shall be considered after a renewal application has been filed and there has been no change in the applicable building code negatively affecting the performance of this product.

TERMINATION of this NOA will occur after the expiration date or if there has been a revision or change in the materials, use, and/ or manufacture of the product or process. Misuse of this NOA as an endorsement of any product, for sales, advertising or any other purposes shall automatically terminate this NOA. Failure to comply with any section of this NOA shall be cause for termination and removal of NOA.

ADVERTISEMENT: The NOA number preceded by the words Miami-Dade County, Florida, and followed by the expiration date may be displayed in advertising literature. If any portion of the NOA is displayed, then it shall be done in its entirety.

INSPECTION: A copy of this entire NOA shall be provided to the user by the manufacturer or its distributors and shall be available for inspection at the job site at the request of the Building Official.

This NOA **renews NOA No. 17-0504.05** and consists of this page 1 and evidence pages E-1, E-2, E-3 and E-4, as well as approval document mentioned above.

The submitted documentation was reviewed by **Sifang Zhao, P. E.**



S.Z.
12/20/2018

NOA No. 18-1108.03
Expiration Date: January 23, 2024
Approval Date: December 20, 2018
Page 1

NOTICE OF ACCEPTANCE: EVIDENCE SUBMITTED

A. DRAWINGS

1. Manufacturer's die drawings and sections.
(Submitted under NOA No. 13-0815.03)
2. Drawing No. **MD-555.1**, titled "Vinyl French Door and SLT/TR", sheets 1 through 12 of 12, dated 05/07/13, with revision **C** dated 04/10/17, prepared by manufacturer, signed and sealed by Anthony Lynn Miller, P.E.

B. TESTS

1. Test reports on:
 - 1) Air Infiltration Test, per FBC, TAS 202-94
 - 2) Uniform Static Air Pressure Test, Loading per FBC, TAS 202-94
 - 3) Water Resistance Test, per FBC, TAS 202-94
 - 4) Forced Entry Test, per FBC 2411.3.2.1, and TAS 202-94
 - 5) Large Missile Impact Test per FBC, TAS 201-94
 - 6) Cyclic Wind Pressure Loading per FBC, TAS 203-94along with marked-up drawings and installation diagram of a Series FD-5570/FD-2770 PVC double entrance outswing doors, prepared by Fenestration Testing Laboratory, Inc., Test Report No. **FTL-8717**, dated 11/16/15, signed and sealed by Idalmis Ortega, P.E.
(Submitted under previous NOA No. 16-0126.04)
2. Test reports on:
 - 1) Air Infiltration Test, per FBC, TAS 202-94
 - 2) Uniform Static Air Pressure Test, Loading per FBC, TAS 202-94
 - 3) Water Resistance Test, per FBC, TAS 202-94
 - 4) Forced Entry Test, per FBC 2411.3.2.1, and TAS 202-94
 - 5) Large Missile Impact Test per FBC, TAS 201-94
 - 6) Cyclic Wind Pressure Loading per FBC, TAS 203-94along with marked-up drawings and installation diagram of a Series FD-5555/FD-7700 PVC double entrance outswing doors, prepared by Fenestration Testing Laboratory, Inc., Test Report No. **FTL-8716**, dated 11/12/15, signed and sealed by Idalmis Ortega, P.E.
(Submitted under previous NOA No. 16-0126.04)
3. Test reports on:
 - 1) Uniform Static Air Pressure Test, Loading per FBC, TAS 202-94
 - 2) Large Missile Impact Test per FBC, TAS 201-94
 - 3) Cyclic Wind Pressure Loading per FBC, TAS 203-94along with marked-up drawings and installation diagram of a Series FD-5555/FD-7700 PVC fixed sidelite, prepared by Fenestration Testing Laboratory, Inc., Test Report No. **FTL-8715**, dated 11/05/15, signed and sealed by Idalmis Ortega, P.E.
(Submitted under previous NOA No. 16-0126.04)



Sifang Zhao, P.E.
Product Control Examiner
NOA No. 18-1108.03
Expiration Date: January 23, 2024
Approval Date: December 20, 2018

NOTICE OF ACCEPTANCE: EVIDENCE SUBMITTED

B. TESTS (CONTINUED)

4. Test reports on: 1) Air Infiltration Test, per FBC, TAS 202-94
2) Uniform Static Air Pressure Test, Loading per FBC TAS 202-94
3) Water Resistance Test, per FBC, TAS 202-94
along with marked-up drawings and installation diagram of an outswing PVC French door, prepared by Fenestration Testing Laboratory, Inc., Test Report No. **FTL-7370**, dated 05/23/13, signed and sealed by Jorge A. Naya, Jr., P.E.
(Submitted under NOA No. 13-0815.03)
5. Test reports on: 1) Uniform Static Air Pressure Test, Loading per FBC, TAS 202-94
2) Large Missile Impact Test per FBC, TAS 201-94
3) Cyclic Wind Pressure Loading per FBC, TAS 203-94
along with marked-up drawings and installation diagram of an outswing Rigid PVC French door, prepared by Fenestration Testing Laboratory, Inc., Test Report No. **FTL-7371**, dated 05/25/13, signed and sealed by Jorge A. Naya, Jr., P.E.
(Submitted under NOA No. 13-0815.03)
6. Test reports on: 1) Air Infiltration Test, per FBC, TAS 202-94
2) Uniform Static Air Pressure Test, Loading per FBC TAS 202-94
3) Water Resistance Test, per FBC, TAS 202-94
along with marked-up drawings and installation diagram of a PVC fixed window, prepared by Fenestration Testing Laboratory, Inc., Test Report No. **FTL-7338**, dated 05/25/13, signed and sealed by Jorge A. Naya, Jr., P.E.
(Submitted under NOA No. 13-0815.03)
7. Test reports on: 1) Uniform Static Air Pressure Test, Loading per FBC, TAS 202-94
2) Large Missile Impact Test per FBC, TAS 201-94
3) Cyclic Wind Pressure Loading per FBC, TAS 203-94
along with marked-up drawings and installation diagram of a Rigid PVC fixed window, prepared by Fenestration Testing Laboratory, Inc., Test Report No. **FTL-7339**, dated 05/23/13, signed and sealed by Jorge A. Naya, Jr., P.E.
(Submitted under NOA No. 13-0815.03)

C. CALCULATIONS

1. Anchor verification calculations and structural analysis, complying with **FBC 5th Edition (2014)**, dated 03/30/15, prepared by manufacturer, signed and sealed by Anthony Lynn Miller, P.E.
(Submitted under NOA No. 15-0409.03)
2. Glazing complies with **ASTM E1300-09**



Sifang Zhao, P.E.
Product Control Examiner
NOA No. 18-1108.03
Expiration Date: January 23, 2024
Approval Date: December 20, 2018

NOTICE OF ACCEPTANCE: EVIDENCE SUBMITTED

D. QUALITY ASSURANCE

1. Miami-Dade Department of Regulatory and Economic Resources (RER).

E. MATERIAL CERTIFICATIONS

1. Notice of Acceptance No. **16-1117.01** issued to **Kuraray America, Inc.** for their “**Trosifol® Ultraclear, Clear and Color PVB Glass Interlayers**” dated 01/19/17, expiring on 07/08/19.
2. Notice of Acceptance No. **14-0916.11** issued to **Kuraray America, Inc.** for their “**Kuraray SentryGlas® (Clear and White) Glass Interlayers**” dated 06/25/15, expiring on 07/04/18
3. Notice of Acceptance No. **14-0820.11** issued to Vision Extrusions Limited for their “**White Rigid PVC Exterior Extrusions for Windows and Doors**”, dated 11/06/14, expiring on 09/30/19.
(Submitted under NOA No. 15-0409.03)
4. Notice of Acceptance No. **14-0820.12** issued to Vision Extrusions Limited for their “**Brown Coated (Painted or Laminated) White Rigid PVC Exterior Extrusions for Windows and Doors**”, dated 11/06/14, expiring on 09/30/19.
(Submitted under NOA No. 15-0409.03)
5. Notice of Acceptance No. **13-1121.01** issued to Vision Extrusions Limited for their series “**VE 2000 Tan 202 and lighter shades (Non-White) Rigid Cellular PVC Exterior Extrusions for Windows and Doors**” dated 01/23/14, expiring on 01/23/19.
(Submitted under NOA No. 15-0409.03)
6. Notice of Acceptance No. **13-1121.02** issued to **Vision Extrusions Limited** for their series “**White Rigid Cellular PVC Exterior Extrusions for Windows and Doors**” dated 01/23/14, expiring on 01/23/19.
(Submitted under NOA No. 15-0409.03)
7. Notice of Acceptance No. **11-0902.10** issued to Vision Extrusions Limited for their series “**VE 1000 Tan 202 (Non-White) Rigid PVC Exterior Extrusions for Windows and Doors**” dated 12/29/11, expiring on 12/29/16.
(Submitted under previous NOA No. 15-0409.03)
8. Quanex Part **Super Spacer Standard** complying with ASTM C518 Thermal Conductivity 0.881 BTU-in/ hr.-ft²-°F, ASTM F 1249 WVTR-Pass, ASTM D3985 Oxygen-Pass, ASTM E 2190 I.G. Durability-No Fog-Pass.
(Submitted under NOA No. 13-0815.03)
9. Quanex Part **Duraseal** complying with ASTM C518 Thermal Conductivity 2.22 BTU-in/ hr.-ft²-°F, ASTM F 1249 WVTR-Pass, ASTM D 1434 Argon Permeance-Pass, ASTM E 2189 I.G. Durability-No Fog, ASTM E 546 Dew Point Development -20°F in 48 hrs.
(Submitted under NOA No. 13-0815.03)


Sifang Zhao, P.E.

Product Control Examiner
NOA No. 18-1108.03

Expiration Date: January 23, 2024
Approval Date: December 20, 2018

NOTICE OF ACCEPTANCE: EVIDENCE SUBMITTED

E. MATERIAL CERTIFICATIONS (CONTINUED)

10. Vision Extrusions, Ltd. Parts complying with PVC-AAMA 303-13.
(Submitted under NOA No. 13-0815.03)
11. PVC-AAMA 303-13, Voluntary Specification for Rigid Polyvinyl Chloride (PVC) Exterior Profiles for Vision Extrusions, Ltd.-VEX-1 by AAMA Fenestration Exterior Profile Certification Program.
(Submitted under NOA No. 13-0815.03)

F. STATEMENTS

1. Statement letter of conformance, complying with **FBC 5th Edition (2014)** and **FBC 6th Edition (2017)**, dated 08/16/17, issued by manufacturer, signed and sealed by A. Lynn Miller, P.E.
2. Statement letter of no financial interest, dated 04/28/17, issued by manufacturer, signed and sealed by Anthony Lynn Miller, P.E.
3. Laboratory compliance letter for Test Reports No. **FTL-7370, FTL-7371, FTL-7338** and **FTL-7339**, all issued by Fenestration Testing Laboratory, Inc., dated 05/23/13 and 05/25/13, all signed and sealed by Jorge A. Naya, Jr., P.E.
(Submitted under NOA No. 13-0815.03)

G. OTHERS

1. Notice of Acceptance No. **17-0504.05**, issued to PGT Industries, Inc. for their Series "FD-5555" Outswing PVC French Door w/ & w/o Sidelite and Transom - L.M.I., approved on 12/14/17 and expiring on 01/23/19.



Sifang Zhao, P.E.
Product Control Examiner
NOA No. 18-1108.03
Expiration Date: January 23, 2024
Approval Date: December 20, 2018

**SERIES FD-5555,
IMPACT-RESISTANT, VINYL, REINFORCED, OUTSWING
FRENCH DOOR & SIDELITE/TRANSOM (SLT/TR)**

DESIGN PRESSURE RATING	IMPACT RATING
VARIABLES, SEE SHEETS 4 & 5	RATED FOR LARGE & SMALL MISSILE IMPACT RESISTANCE

1) THIS PRODUCT HAS BEEN DESIGNED & TESTED TO COMPLY WITH THE REQUIREMENTS OF THE FLORIDA BUILDING CODE, INCLUDING THE HIGH VELOCITY HURRICANE ZONE (HVHZ).

2) SHUTTERS ARE NOT REQUIRED WHEN USED IN WIND-BORNE DEBRIS REGIONS.

3) FOR MASONRY APPLICATIONS IN MIAMI-DADE COUNTY, USE ONLY MIAMI-DADE COUNTY APPROVED MASONRY ANCHORS. MATERIALS USED FOR ANCHOR EVALUATIONS WERE SOUTHERN PINE, ASTM C90 CONCRETE MASONRY UNITS (CMU'S) OF NORMAL WEIGHT AND OF COMPRESSIVE STRENGTH OF MIN. 1.9 KSI AND CONCRETE WITH MIN. KSI PER ANCHOR TYPE.

4) MASONRY ANCHORS MAY BE USED INTO WOOD AS PER TABLE 1, THIS SHEET. ALL WOOD BUCKS LESS THAN 1-1/2" THICK ARE TO BE CONSIDERED 1X INSTALLATIONS. 1X WOOD BUCKS ARE OPTIONAL IF UNIT IS INSTALLED DIRECTLY TO SUBSTRATE. WOOD BUCKS DEPICTED AS 2X ARE 1-1/2" THICK OR GREATER. 1X AND 2X BUCKS (WHEN USED) SHALL BE DESIGNED TO PROPERLY TRANSFER LOADS TO THE STRUCTURE. WOOD BUCK DESIGN AND INSTALLATION IS THE RESPONSIBILITY OF THE ENGINEER OR ARCHITECT OF RECORD.

5) IF SILL IS TIGHT TO SUBSTRATE, GROUT IS NOT REQUIRED. IF USED, NON-SHRINK, NON-METALLIC GROUT AT 3.4 KSI MIN. PER ASTM C1107, (DONE BY OTHERS). MAX. 1/4" SHIM SPACE FOR GROUT WHICH MUST FULLY SUPPORT THE ENTIRE LENGTH OF THE SILL THAT IS NOT TIGHT TO THE SUBSTRATE, AND TRANSFER SHEAR LOAD TO SUBSTRATE. IF SUBSTRATE IS WOOD, 30# FELT PAPER OR MASTIC IS REQUIRED BETWEEN THE GROUT AND WOOD SUBSTRATE, OR AS APPROVED BY THE AUTHORITY HAVING JURISDICTION, COMPLYING WITH THE FBC.

6) ANCHOR EMBEDMENT TO BASE MATERIAL SHALL BE BEYOND WALL DRESSING OR STUCCO. USE ANCHORS OF SUFFICIENT LENGTH TO ACHIEVE THE EMBEDMENT SHOWN ON TABLE 1, THIS SHEET. NARROW JOINT SEALANT IS USED ON ALL FOUR CORNERS OF THE FRAME. EXTERIOR INSTALLATION ANCHORS SHOULD BE SEALED. OVERALL SEALING/FLASHING STRATEGY FOR WATER RESISTANCE OF INSTALLATION SHALL BE DONE BY OTHERS AND IS BEYOND THE SCOPE OF THESE INSTRUCTIONS.

7) MAX. 1/4" SHIMS ARE REQUIRED AT EACH ANCHOR LOCATION WHERE THE PRODUCT IS NOT FLUSH TO THE SUBSTRATE. USE SHIMS CAPABLE OF TRANSFERRING APPLIED LOADS. WOOD BUCKS, BY OTHERS, MUST BE SUFFICIENTLY ANCHORED TO RESIST LOADS IMPOSED ON THEM BY THE DOOR, SIDELITE OR TRANSOM.

8) DESIGN PRESSURES:

- A. NEGATIVE DESIGN LOADS BASED ON STRUCTURAL TEST PRESSURE, FRAME ANALYSIS AND GLASS PER ASTM E1300.
- B. POSITIVE DESIGN LOADS BASED ON WATER TEST PRESSURE, STRUCTURAL TEST PRESSURE, FRAME ANALYSIS AND GLASS PER ASTM E1300.
- C. DESIGN LOADS ARE BASED ON ALLOWABLE STRESS DESIGN, ASD.

9) THE ANCHORAGE METHODS SHOWN HAVE BEEN DESIGNED TO RESIST THE WINDLOADS CORRESPONDING TO THE REQUIRED DESIGN PRESSURE. THE 33-1/3% STRESS INCREASE HAS NOT BEEN USED IN THE DESIGN OF THIS PRODUCT. THE 1.6 LOAD DURATION FACTOR WAS USED FOR THE EVALUATION OF ANCHORS INTO WOOD. ANCHORS THAT COME INTO CONTACT WITH OTHER DISSIMILAR MATERIALS SHALL MEET THE REQUIREMENTS OF THE FLORIDA BUILDING CODE (INCLUDING ADOPTED STANDARDS) FOR CORROSION RESISTANCE.

10) ALL RIGID PVC AND RIGID CELLULAR PVC MANUFACTURED BY ENERGI FENESTRATION SOLUTIONS USA, INC. OR VISION EXTRUSIONS, LTD. HAS BEEN TESTED TO COMPLY WITH THE FLORIDA BUILDING CODE FOR PLASTICS.

11) SIZES MUST BE VERIFIED FOR COMPLIANCE WITH EGRESS REQUIREMENTS PER THE FLORIDA BUILDING CODE.

12)-REFERENCES:

TEST REPORTS: FTL-7339, 7371, 8715, 8716 & 8717
NOA'S: ELCO ULTRACON, CRETEFLEX & AGGREGATOR ANCHOR NOA'S, ENERGI FENESTRATION SOLUTIONS USA, INC. OR VISION EXTRUSION, LTD. WHITE RIGID PVC NOA, VE 1000 TAN 202 AND LIGHTER SHADES (NON-WHITE) RIGID PVC NOA AND BROWN COATED (PAINTED OR LAMINATED) WHITE RIGID PVC NOA

13) THE 5555 SERIES IS ALSO KNOWN AS THE 555 SERIES.

Material	Min. F _y	Min. F _u
Steel Screw	92 ksi	120 ksi
18-8 Screw	60 ksi	95 ksi
410 Screw	90 ksi	110 ksi
Elco Aggre-Gator®	57 ksi	96 ksi
Elco UltraCon®	155 ksi	177 ksi
410 SS Elco CreteFlex®	127.4 ksi	189.7 ksi
6063-T5 Aluminum	16 ksi	22 ksi
A36 Steel	36 ksi	58 ksi
Gr. 33 Steel Stud	33 ksi	45 ksi

GUIDE TO SHEETS:

GENERAL NOTES.....	1
ELEVATIONS.....	2
GLAZING DETAILS.....	3
DESIGN PRESSURES.....	4-5
ANCHORS.....	4-6
INSTALLATION.....	7-9
EXTRUSION PROFILES.....	10
PARTS LIST.....	11-12
CORNER DETAILS.....	11
HARDWARE DETAILS.....	12

CODES / STANDARDS USED:

- 2017 FLORIDA BUILDING CODE (FBC), 6TH EDITION
- 2014 FLORIDA BUILDING CODE (FBC), 5TH EDITION
- ASTM E1300-09
- ANSI/AF&PA NDS-2015 FOR WOOD CONSTRUCTION
- ALUMINUM DESIGN MANUAL, ADM-2015
- AISI S100-12
- AISC 360-10

TABLE 1:

Group	Anchor	Substrate	Min. Edge Distance	Min. Embedment	
A	3/16" Elco Ultracon	UngROUTED CMU, (ASTM C-90)	1"	1-1/4"	
		UngROUTED CMU, (ASTM C-90)	2-1/2"	1-1/4"	
B	#10 Steel SMS (G5) #10 410 S.S. SMS #10 18-8 S.S. SMS	P.T. Southern Pine (SG=0.55)	1/2"	1-3/8"	
		Aluminum, 6063-T5*	5/16"	0.063"	
		Steel, A36*	5/16"	0.063"	
	3/16" Elco Ultracon	Steel Stud, A653 Gr. 33*	5/16"	0.063"	
		P.T. Southern Pine (SG=0.55)	1/2"	1-3/8"	
		Grouted CMU, (ASTM C-90)	2-1/2"	2-1/4"	
C	1/4" Elco Ultracon	Concrete (min. 2.85 ksi)	1"	1-3/8"	
		UngROUTED CMU, (ASTM C-90)	2-1/2"	1-1/4"	
		Concrete (min. 2.85 ksi)	1"	1-3/8"	
	1/4" Elco 410 S.S. CreteFlex	Concrete (min. 3.35 ksi)	1"	1-3/4"	
		UngROUTED CMU, (ASTM C-90)	2-1/2"	1-1/4"	
		Concrete (min. 3.35 ksi)	1"	1-3/4"	
	1/4" Elco 18-8 S.S. Aggre-Gator	P.T. Southern Pine (SG=0.55)	1"	1-3/8"	
		Concrete (min. 3.27 ksi)	1-1/2"	1-3/8"	
		UngROUTED CMU, (ASTM C-90)	4"	1-1/4"	
	D	1/4" Elco Ultracon	Concrete (min. 2.85 ksi)	2-1/2"	1-3/8"
			Concrete (min. 3.35 ksi)	2-1/2"	1-3/4"

* MIN. OF 3 THREADS BEYOND THE METAL SUBSTRATE.

TABLE 2:

Type #	Description	Where Used:
1	1-3/16" Lami. IG (1/8" T - 11/16" Air - 1/8" ANN - .090" PVB - 1/8" ANN)	Door
2	1-3/16" Lami. IG (3/16" T - 5/8" Air - 1/8" ANN - .090" PVB - 1/8" ANN)	Door
3	1-3/16" Lami. IG (1/8" T - 9/16" Air - 3/16" ANN - .090" SG - 3/16" ANN)	Sidelite/Transom
4	1-3/16" Lami. IG (3/16" T - 1/2" Air - 3/16" ANN - .090" SG - 3/16" ANN)	Sidelite/Transom
5	1-3/16" Lami. IG (1/8" T - 9/16" Air - 3/16" ANN - .090" PVB - 3/16" ANN)	Sidelite/Transom
6	1-3/16" Lami. IG (3/16" T - 1/2" Air - 3/16" ANN - .090" PVB - 3/16" ANN)	Sidelite/Transom
7	7/16" Lami. (3/16" ANN - .090" PVB - 3/16" ANN)	Door/Sidelite/Transom

"ANN" = ANNEALED
"T" = TEMPERED
"PVB" = .090" TROSIFOL® PVB INTERLAYER BY KURARAY AMERICA, INC.
"SG" = .090" SENTRYGLAS® INTERLAYER BY KURARAY AMERICA, INC.
SEE SHEET 3 FOR SPACER INFORMATION.

PRODUCT RENEWED
as complying with the Florida Building Code
NOA-No. **18-1108.03**

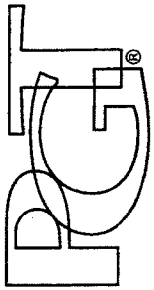
Expiration Date **01/23/2024**

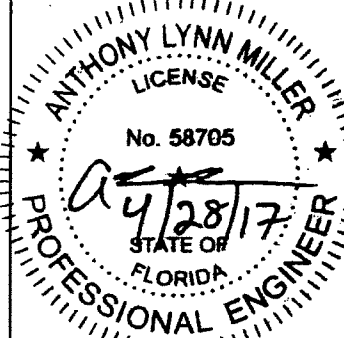
By *[Signature]*
Miami-Dade Product Control

PRODUCT REVISED
as complying with the Florida Building Code
Acceptance No. **17-0504.05**
Expiration Date **Jan 23, 2019**

By *[Signature]*
Miami-Dade Product Control

C) UPDATED TO FBC 2017,
ADDED SPACER DWGS.,
REVISED #22 - JR - 04/10/17

1070 TECHNOLOGY DRIVE N. VENICE, FL 34275 (941)-480-1600	COPYRIGHT © 2017 PGT INDUSTRIES, INC. ALL RIGHTS RESERVED	Date	5/7/13	J ROSOWSKI	C
		Drawn By			
		No.	MD-555.1		
		DWG	1 OF 12		
 CERT. OF AUTH. #29296 VINYL FRENCH DOOR AND SLT/TR GENERAL NOTES FD-5555		Sheet	NTS		
		Scale			
		Series			


 ANTHONY LYNN MILLER
 LICENSE
 No. 58705
 4/28/17
 STATE OF FLORIDA
 PROFESSIONAL ENGINEER
 A. LYNN MILLER, P.E.
 P.E.# 58705

EXAMPLE CONFIGURATIONS

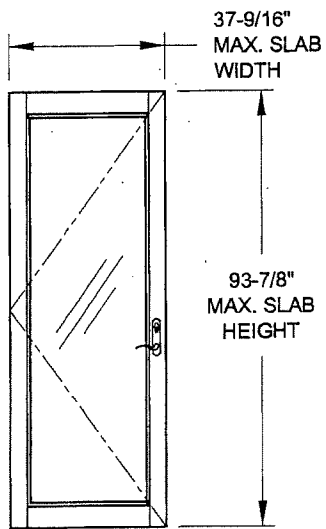
PRODUCT RENEWED
 as complying with the Florida Building Code
 NOA-No. **18-1108.03**
 Expiration Date **01/23/2024**
 By *[Signature]*
 Miami-Dade Product Control

PRODUCT REVISED
 as complying with the Florida Building Code
 Acceptance No. **17-0514.05**
 Expiration Date **12-23-2019**
 By *[Signature]*
 Miami-Dade Product Control

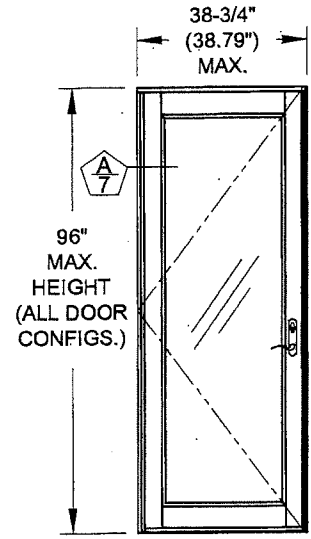
Revision C) NO CHANGES THIS SHEET
 JR - 04/10/17

1070 TECHNOLOGY DRIVE N. VENICE, FL 34275 (941)-480-1600	COPYRIGHT © 2017 PGT INDUSTRIES, INC. ALL RIGHTS RESERVED	Date	5/7/13	Rev.	C
		By	J ROSOWSKI	DWG No.	MD-555.1
		Drawn		Sheet	2 OF 12
		Scale	NTS	Series Desc.	FD-5555
VINYL FRENCH DOOR AND SLT/TR		EXAMPLE CONFIGURATIONS			

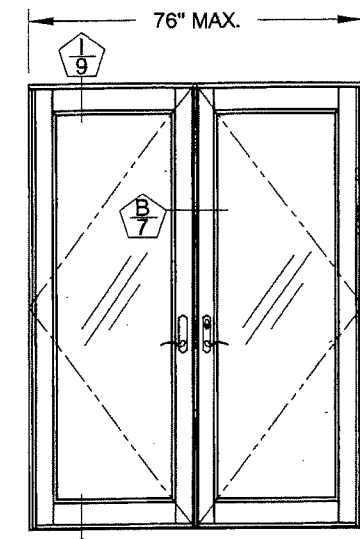
ANTHONY LYNN MILLER
 LICENSE
 No. 58705
 4/28/17
 STATE OF FLORIDA
 PROFESSIONAL ENGINEER
 A. LYNN MILLER, P.E.
 P.E.# 58705



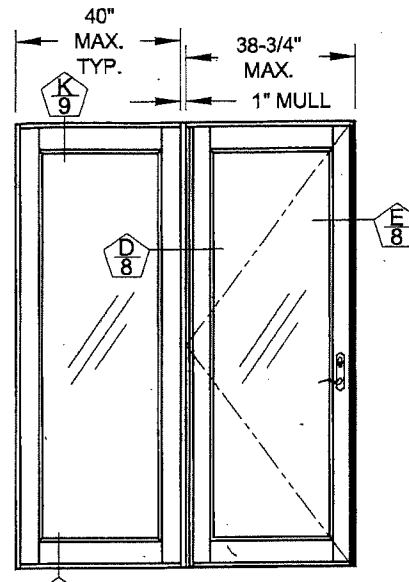
TYP. DOOR SLAB



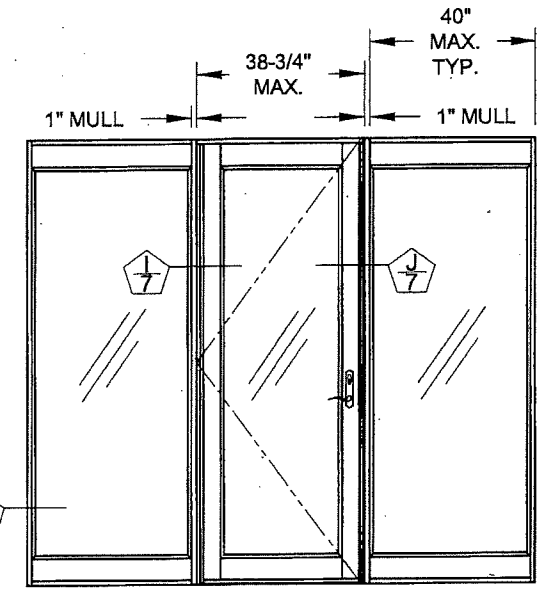
X



XX

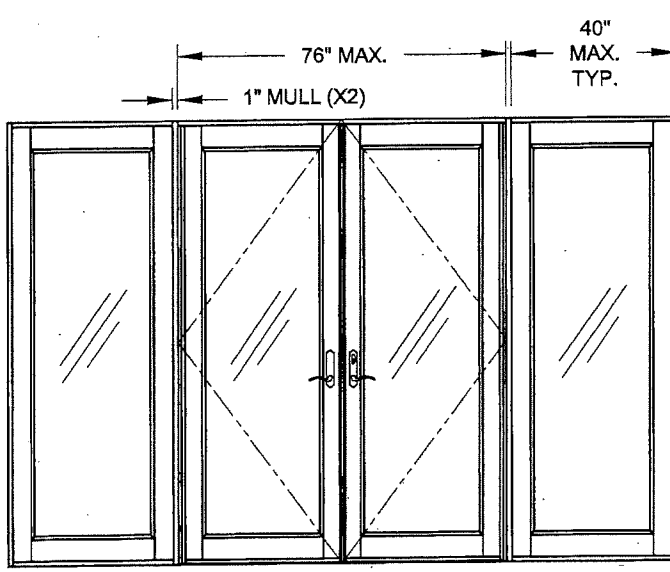


OIX (SHOWN) OR XIO
 (WIDE STILES AND WIDE RAILS SHOWN ON SIDELITES)

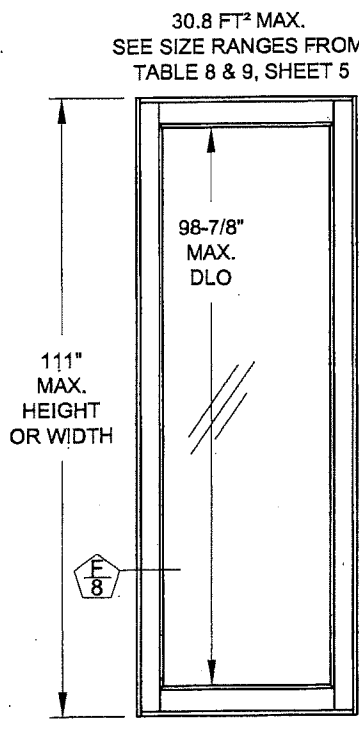


OIXIO
 (NARROW STILES AND WIDE RAILS SHOWN ON SIDELITES)

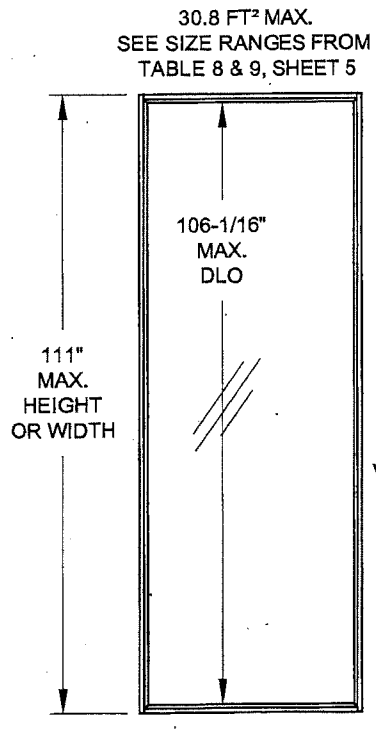
DETAIL SHEET #



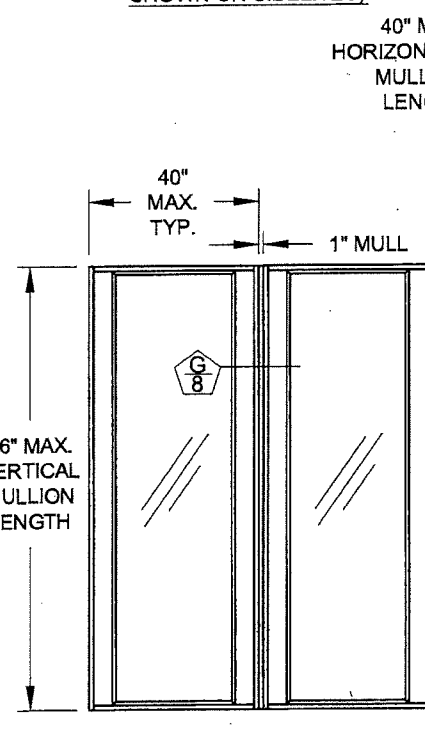
OIXXIO
 (WIDE STILES AND WIDE RAILS SHOWN ON SIDELITES)



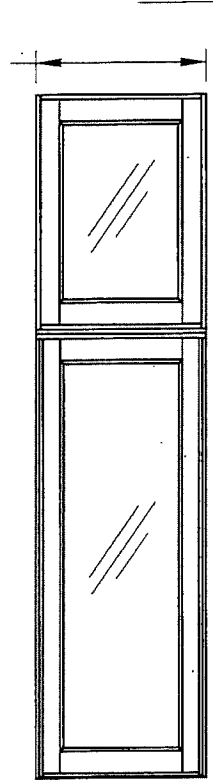
SINGLE O
 (WIDE STILES AND WIDE RAILS SHOWN ON SIDELITES)



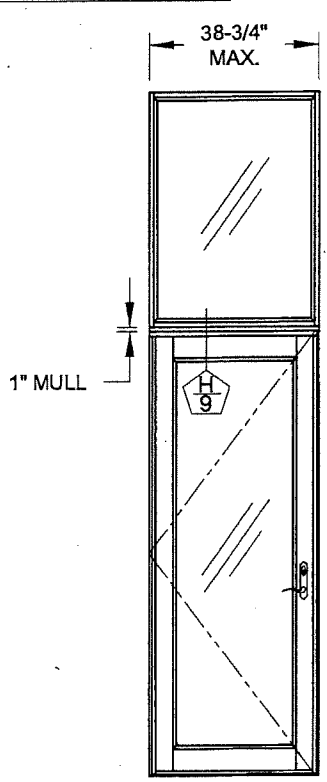
SINGLE O
 (NARROW STILES AND NARROW RAILS SHOWN ON SIDELITES)



OJO (MAXIMUM OF 2 MULLED SIDELITES)
 (WIDE STILES AND NARROW RAILS SHOWN ON SIDELITES)



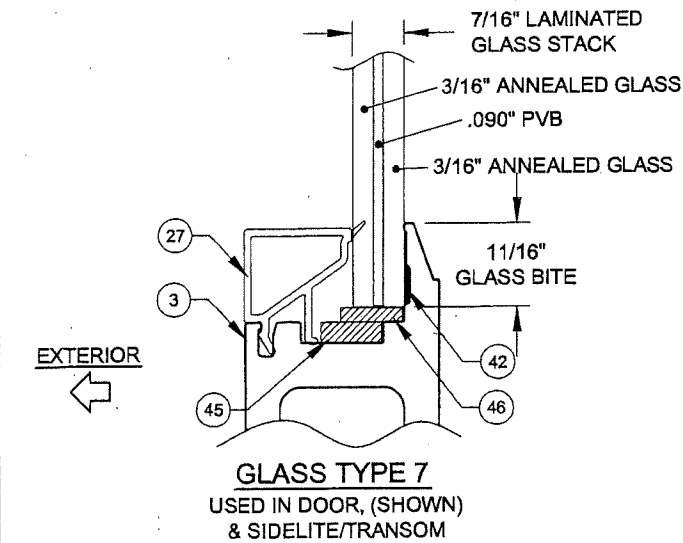
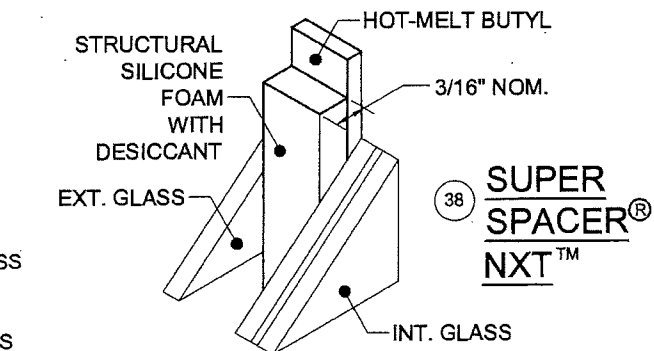
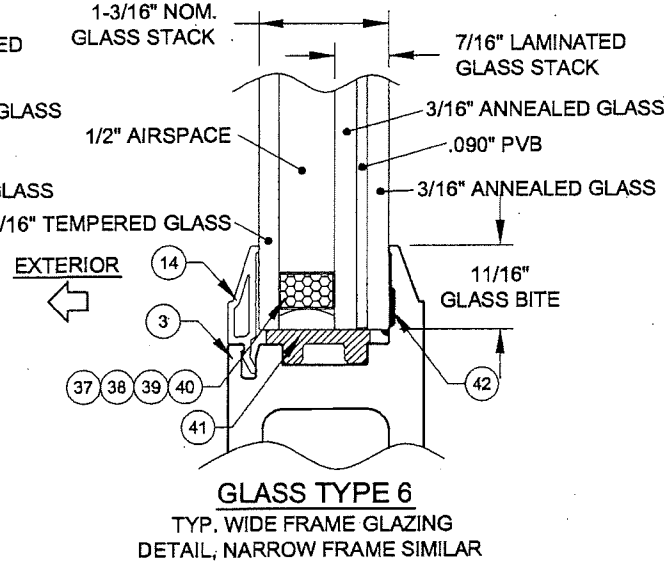
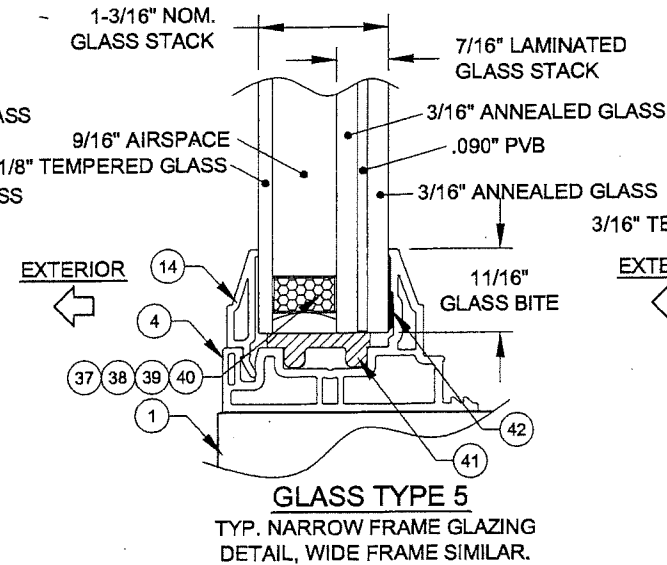
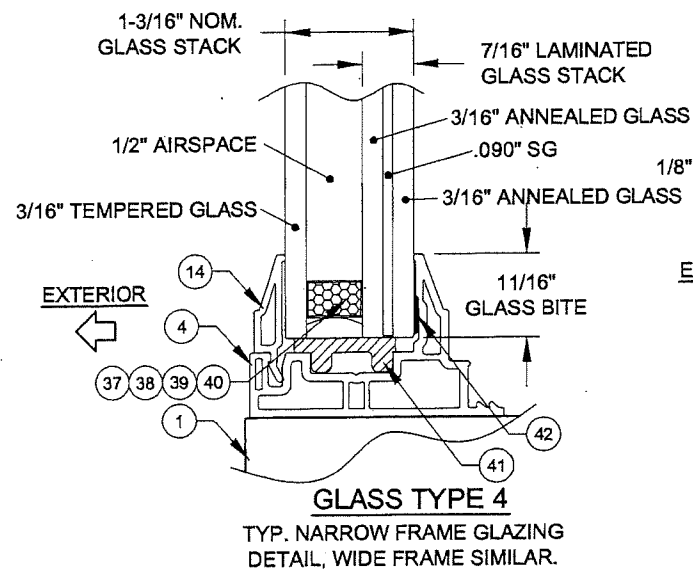
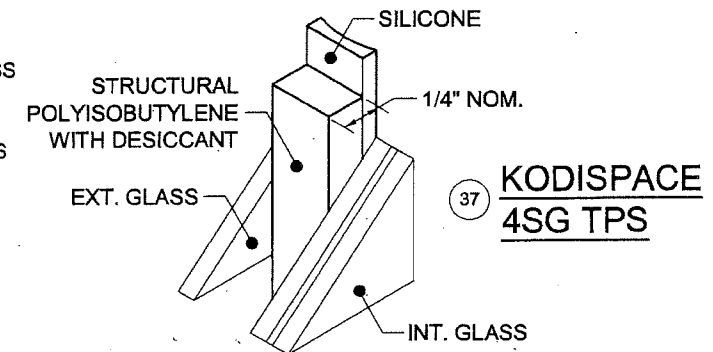
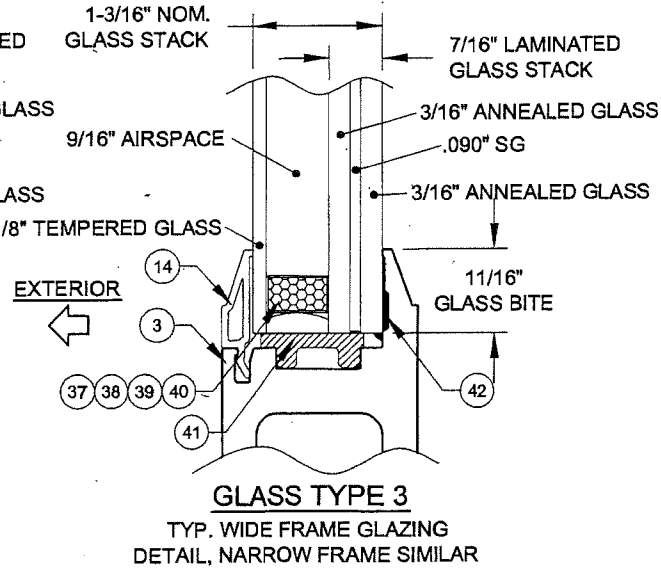
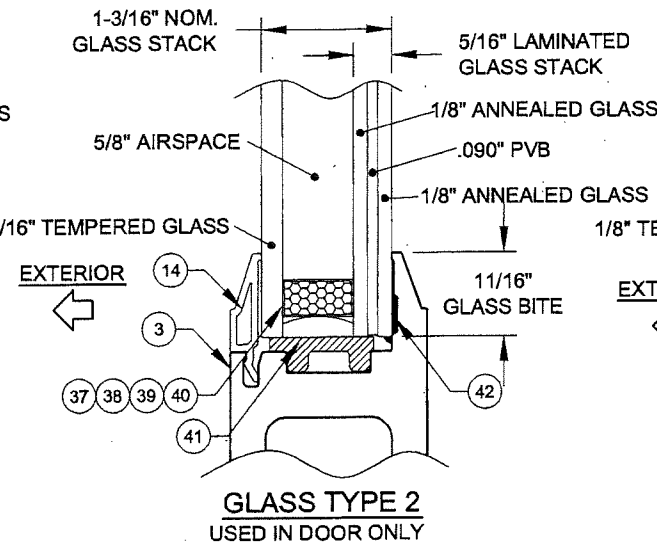
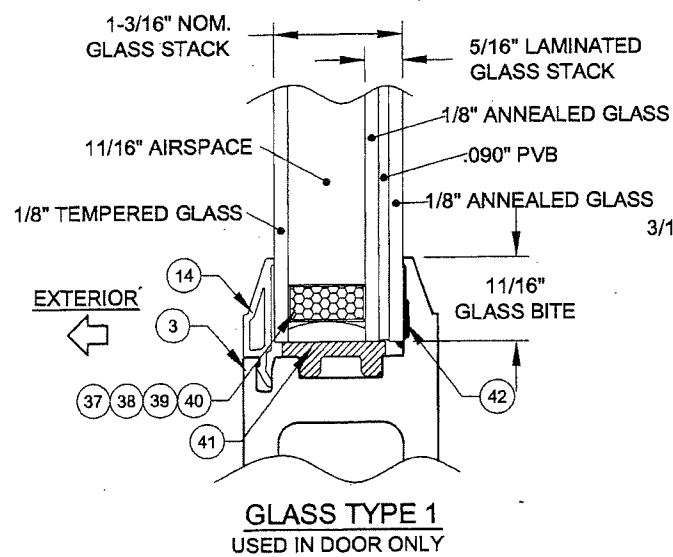
O/O WITH HORIZONTAL MULLION
 (WIDE STILES AND WIDE RAILS SHOWN ON SIDELITE & TRANSOM)



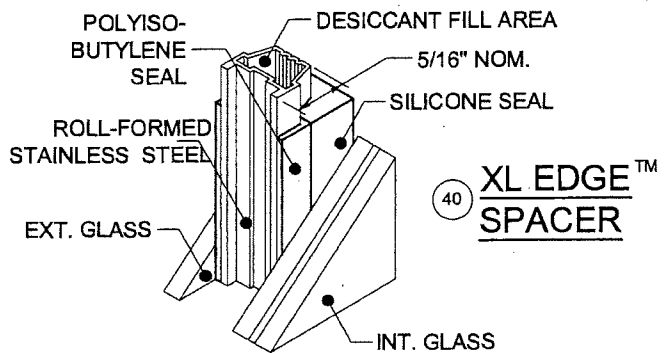
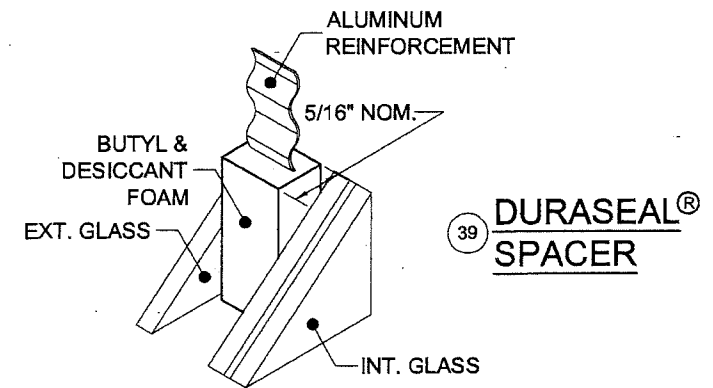
O/X WITH HORIZONTAL MULLION
 (NARROW STILES AND NARROW RAILS SHOWN ON TRANSOM)

- NOTES:**
- 1) SINGLE DOORS MAY BE LEFT OR RIGHT-HANDED.
 - 2) MULLIONS SHOWN ARE STANDARD 1" FRENCH DOOR MULLIONS PER THIS NOA.
 - 3) MULLED CONFIGURATIONS NOT SHOWN MAY BE POSSIBLE USING OTHER MULLION TYPES, SEE SEPARATE NOA.
 - 4) FRENCH DOOR MULLION IS LIMITED TO 96" IN VERTICAL APPLICATIONS AND 40" IN HORIZONTAL APPLICATIONS.
 - 5) NARROW OR WIDE STILES AND RAILS MAY BE MIXED WITHIN THE SAME SLT/TR OR MULLED ASSEMBLY.
 - 6) ADDITIONAL CONFIGURATIONS USING THE 1" FRENCH DOOR MULLION ARE POSSIBLE. USE THE ABOVE DRAWINGS AS A REFERENCE FOR SIZE LIMITATIONS.

GLAZING DETAILS



"PVB" = .090" TROSIFOL[®] PVB BY KURARAY AMERICA, INC.
"SG" = .090" SENTRYGLAS[®] INTERLAYER BY KURARAY AMERICA, INC.



REFERENCE TEST REPORTS: FTL-8717, 8968 & 8970

PRODUCT RENEWED
as complying with the Florida
Building Code
NOA-No. 18-1108.03

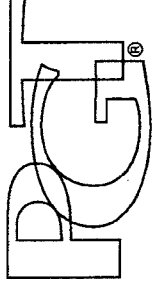
Expiration Date 01/23/2024

By *[Signature]*
Miami-Dade Product Control

PRODUCT REVISED
as complying with the Florida
Building Code 17-0904.05
Acceptance No. *[Signature]*
Expiration Date: *[Signature]*

By *[Signature]*
Miami-Dade Product Control

Revision C) ADDED SPACER DRAWINGS -
JR - 04/10/17

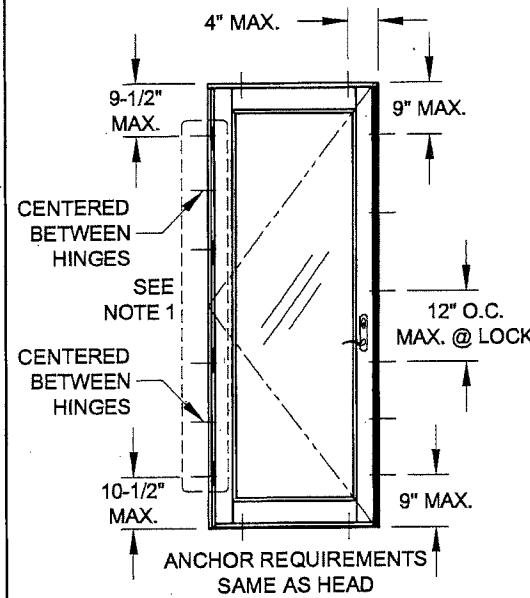
1070 TECHNOLOGY DRIVE N. VENICE, FL 34275 (941)-480-1600	COPYRIGHT © 2017 PGT INDUSTRIES, INC. ALL RIGHTS RESERVED	Date	5/7/13	Rev	C
		Drawn By	J ROSOWSKI	DWG No.	MD-555.1
		Series	VINYL FRENCH DOOR AND SLT/IR	Scale	3 OF 12
 CERT. OF AUTH. #29296 VINYL FRENCH DOOR AND SLT/IR GLAZING DETAILS	Series Desc. Title FD-5555	Sheet	NTS	Scale	3 OF 12
		Series	NTS	Scale	3 OF 12

ANTHONY LYNN MILLER
LICENSE
No. 58705
4/28/17
STATE OF FLORIDA
PROFESSIONAL ENGINEER

A. LYNN MILLER, P.E.
P.E.# 58705

SINGLE DOOR INSTALLATION

(X)



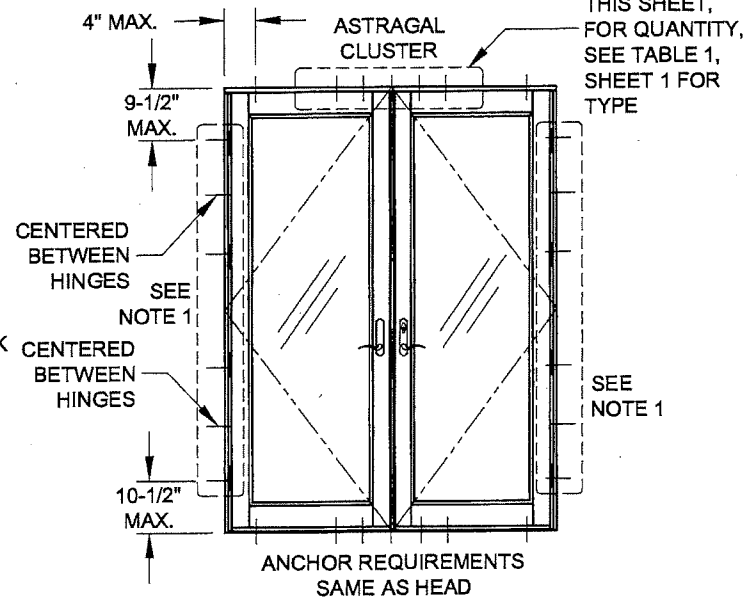
X

TABLE 3:
X & XX Door: Design Pressure

+/-50.0 PSF	Glass Type 1
+/-70.0 PSF	Glass Types 2 & 7

DOUBLE DOOR INSTALLATION

(XX)



XX, (USING ASTRAGAL)

TABLE 4:
XX Door: Astragal Cluster Anchors Required @ Head & Sill

Door Height (in)	Door Width (in)							
	48		60		72		76	
	Anchor Group B-D	Anchor Group B	Anchor Group C&D	Anchor Group B	Anchor Group C&D	Anchor Group B	Anchor Group C	Anchor Group D
80	4	4	4	5	4	5	4	4
96	4	5	4	6	4	6	5	4

4" O.C. MIN., SEE TABLE 4, THIS SHEET, FOR QUANTITY, SEE TABLE 1, SHEET 1 FOR TYPE

SIDELITE-TO-SIDELITE MULLION INSTALLATION

(O|O)

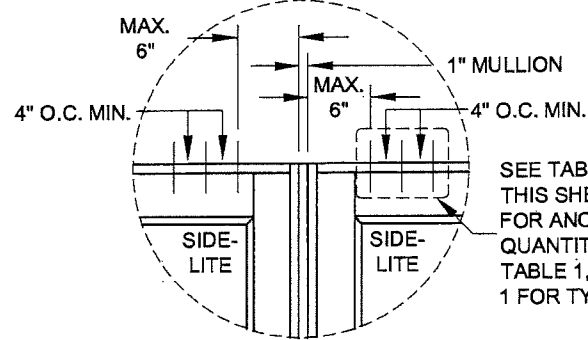
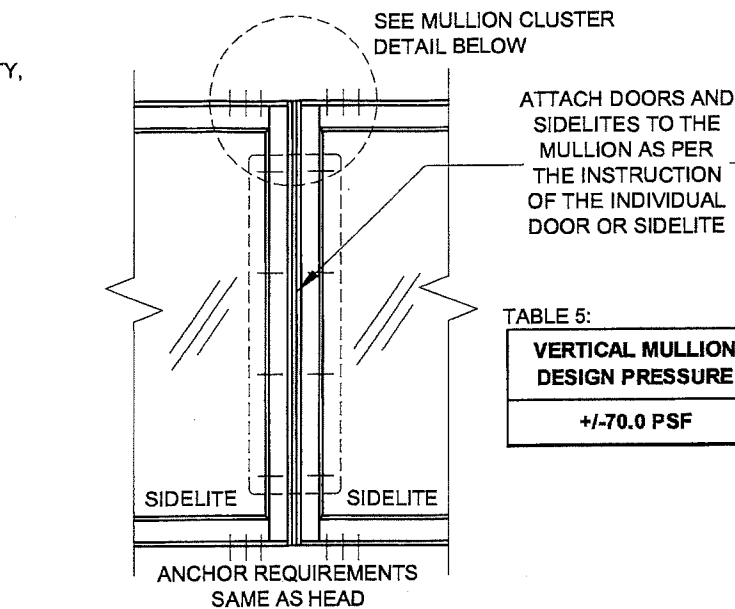
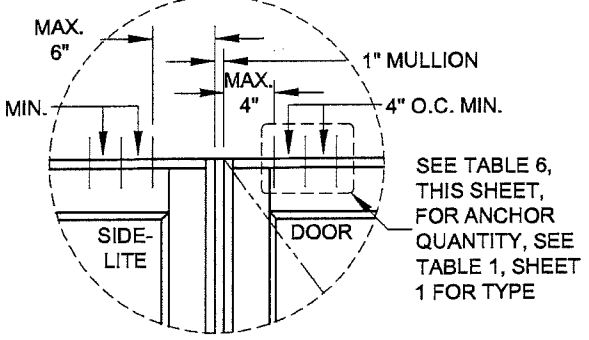
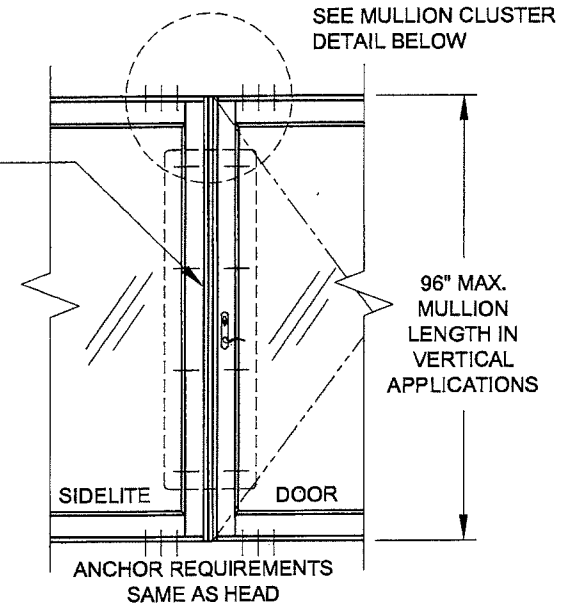


TABLE 5:
VERTICAL MULLION DESIGN PRESSURE

+/-70.0 PSF

SIDELITE-TO-DOOR MULLION INSTALLATION

(X|O, O|X, X|X, O|X|O, X|O|X, O|X|X|O, ETC)



TRANSOM-TO-DOOR (X|O) OR TRANSOM-TO-SIDELITE (O|O) MULLION ATTACHMENT & INSTALLATION

ATTACH DOORS, SIDELITES & TRANSOMS TO THE MULLION AS PER THE INSTRUCTION OF THE INDIVIDUAL PRODUCT

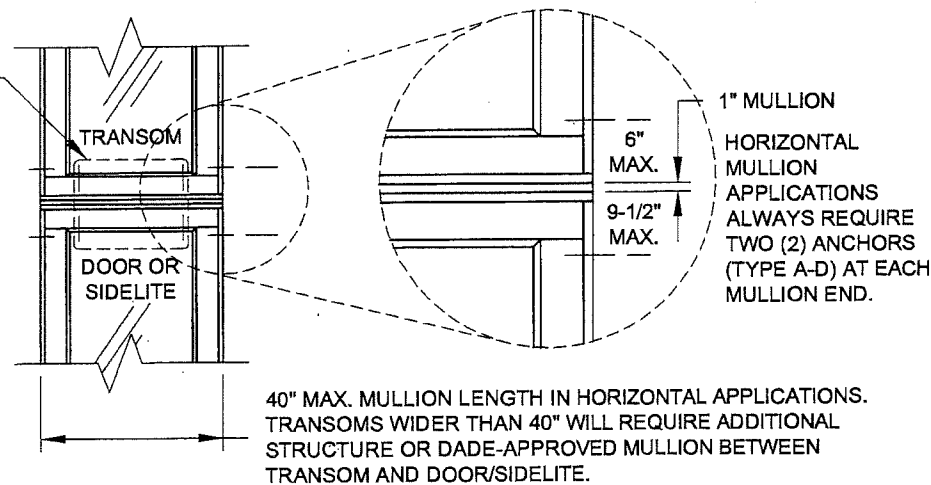


TABLE 7:
HORIZONTAL MULLION DESIGN PRESSURE

+/-70.0 PSF

TABLE 6:
Anchors Required for a Vertical Mullion (each mullion end)

Door or Sidelite/Transom Width (in)	Mullion Height (in)											
	12		24		32		38-3/4		40		40	
	Anchor Group B-D	Anchor Group B&C	Anchor Group D	Anchor Group B	Anchor Group C	Anchor Group D	Anchor Group B	Anchor Group C	Anchor Group D	Anchor Group B	Anchor Group C	Anchor Group D
Door	N/A	2	1	2	2	1	3	2	1	N/A	N/A	N/A
SLT/TR	1	2	1	2	2	1	3	2	1	3	2	1
Door	N/A	2	1	3	2	1	3	3	2	N/A	N/A	N/A
SLT/TR	1	2	1	3	2	1	3	3	2	3	3	2

FOR "O|X|X|O" AND SIMILAR CONFIGURATIONS CONTAINING A DOUBLE DOOR (XX), USE ONLY HALF OF THE FRAME WIDTH OF THE DOUBLE DOOR WHEN USING THIS TABLE.

INSTRUCTIONS:
1) DOOR HINGE JAMBS OF ALL HEIGHTS TO ALWAYS BE ANCHORED WITH SIX ANCHORS. SEE TABLE 1, SHEET 1, FOR ALL APPROVED ANCHORS. FOUR OF THE SIX ANCHORS MUST BE INSTALLED THROUGH THE HINGES, ONE AT EACH HINGE LOCATION (RECOMMENDED #10 FLATHEAD SMS OR 3/16" FLATHEAD ULTRACON FOR EACH HINGE ANCHOR).
2) FOR A MULLED UNIT, DETERMINE THE DESIGN PRESSURE OF EACH COMPONENT IN THAT CONFIGURATION. FOR EXAMPLE, ON AN "X|O" CONFIGURATION, THE DP FOR THE DOOR, THE MULLION AND THE SIDELITE MUST EACH BE DETERMINED. THE LOWEST DP APPLIES TO THE ENTIRE ASSEMBLY.

NOTES:
1) SINGLE DOOR MAY BE LEFT OR RIGHT-HANDED.
2) MULLIONS SHOWN ARE STANDARD 1" FRENCH DOOR MULLIONS.
3) MULLED CONFIGURATIONS NOT SHOWN MAY BE POSSIBLE USING OTHER MULLION TYPES, SEE SEPARATE NOA. THE LOWEST COMPONENT DP IS TO BE THE OVERALL ASSEMBLY DP.
4) FRENCH DOOR MULLION IS LIMITED TO 96" IN VERTICAL APPLICATIONS AND 40" IN HORIZONTAL APPLICATIONS.
5) NARROW OR WIDE STILES AND RAILS MAY BE MIXED WITHIN THE SAME SIDELITE/TRANSOM OR MULLED ASSEMBLY.
6) FOR SIZES NOT SHOWN, ROUND UP TO THE NEXT AVAILABLE SHORT OR LONG DIMENSION.

PRODUCT RENEWED
as complying with the Florida Building Code
NOA-No. 18-1108.03

Expiration Date 01/23/2024

By Miami-Dade Product Control

PRODUCT REVISED
as complying with the Florida Building Code
Acceptance No 17-0504.05
Expiration Date Jan 23, 2019

By Miami-Dade Product Control

Revision C) NO CHANGES THIS SHEET
JR - 04/10/17

1070 TECHNOLOGY DRIVE
N. VENICE, FL 34275
(941)-480-1600

COPYRIGHT © 2017 PGT INDUSTRIES, INC.
ALL RIGHTS RESERVED

DATE 5/7/13
BY J ROSOWSKI
NO. MD-555.1
C

PGI®
CERT. OF AUTH. #29296

VINYL FRENCH DOOR AND SLT/TR
DESIGN PRESSURE 1
FD-5555
4 OF 12
NTS
Sheet

ANTHONY LYNN MILLER
LICENSE
No. 58705
4/28/17
STATE OF FLORIDA
PROFESSIONAL ENGINEER

A. LYNN MILLER, P.E.
P.E.# 58705

TABLE 8:

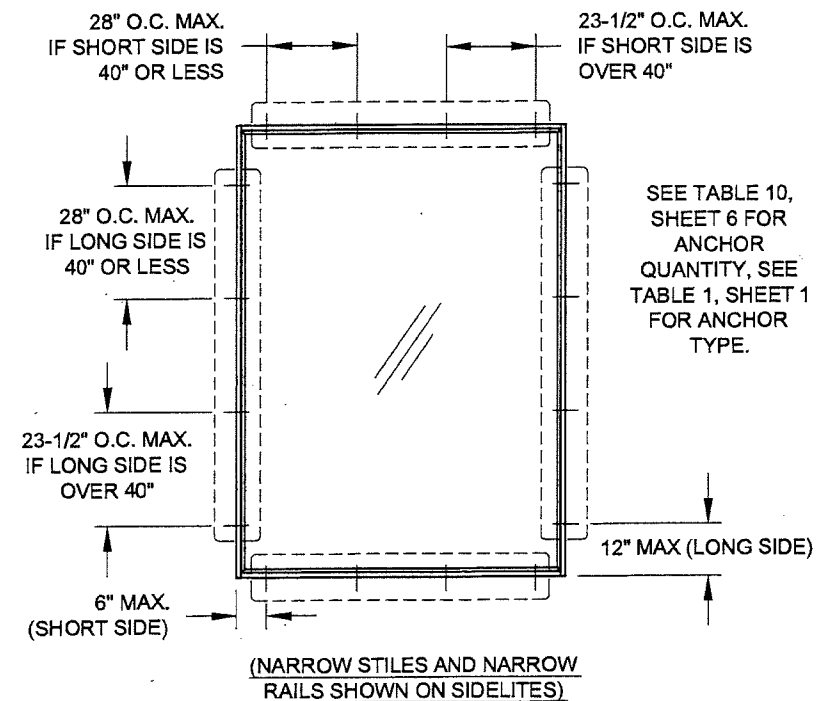
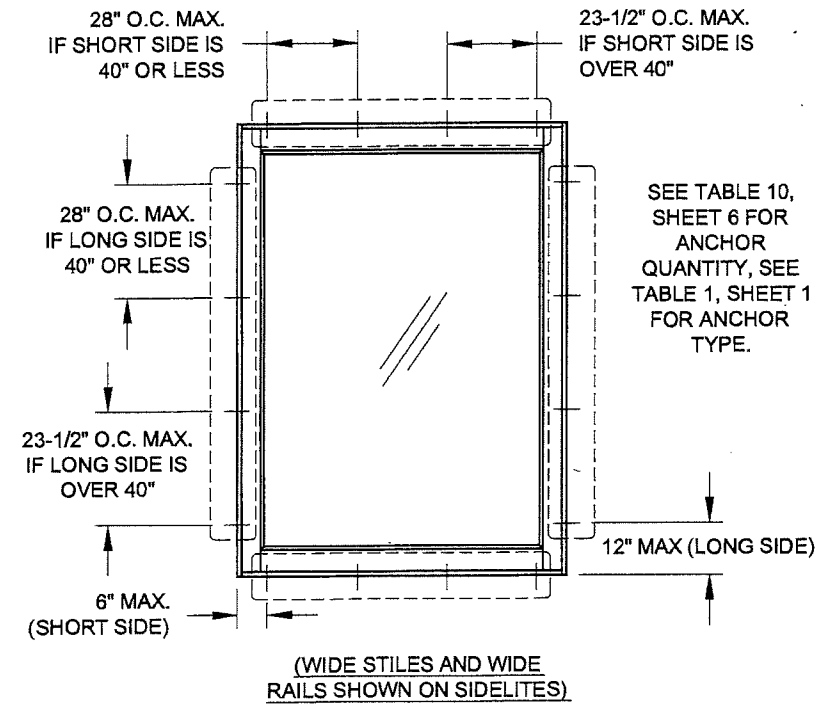
		Sidelite/Transom Design Pressure (+/-, psf) for Glass Types 3 & 4															
		Long Side (in)															
		63-3/16	66-5/8	68	70	72	76	78	82	84	88	92	96	98	104	108	111
Short Side (in)	24	+/-70	+/-70	+/-70	+/-70	+/-70	+/-70	+/-70	+/-70	+/-70	+/-70	+/-70	+/-70	+/-70	+/-70	+/-70	+/-70
	28	+/-70	+/-70	+/-70	+/-70	+/-70	+/-70	+/-70	+/-70	+/-70	+/-70	+/-70	+/-70	+/-70	+/-70	+/-70	+/-70
	32	+/-70	+/-70	+/-70	+/-70	+/-70	+/-70	+/-70	+/-70	+/-70	+/-70	+/-70	+/-70	+/-70	+/-70	+/-70	+/-70
	36	+/-70	+/-70	+/-70	+/-70	+/-70	+/-70	+/-70	+/-70	+/-70	+/-70	+/-70	+/-70	+/-70	+/-70	+/-70	+/-70
	38-3/4	+/-70	+/-70	+/-70	+/-70	+/-70	+/-70	+/-70	+/-70	+/-70	+/-70	+/-70	+/-70	+/-70	+/-70	+/-70	+/-70
	40	+/-70	+/-70	+/-70	+/-70	+/-70	+/-70	+/-70	+/-70	+/-70	+/-70	+/-70	+/-70	+/-70	+/-70	+/-70	+/-70
	42	+/-70	+/-70	+/-70	+/-70	+/-70	+/-70	+/-70	+/-70	+/-70	+/-70	+/-70	+/-70	+/-70	+/-70	+/-70	+/-70
	44	+/-70	+/-70	+/-70	+/-70	+/-70	+/-70	+/-70	+/-70	+/-70	+/-70	+/-70	+/-70	+/-70	+/-70	+/-70	+/-70
	46	+/-70	+/-70	+/-70	+/-70	+/-70	+/-70	+/-70	+/-70	+/-70	+/-70	+/-70	+/-70	+/-70	+/-70	+/-70	+/-70
	48	+/-70	+/-70	+/-70	+/-70	+/-70	+/-70	+/-70	+/-70	+/-70	+/-70	+/-70	+/-70	+/-70	+/-70	+/-70	+/-70
	50	+/-70	+/-70	+/-70	+/-70	+/-70	+/-70	+/-70	+/-70	+/-70	+/-70	+/-70	+/-70	+/-70	+/-70	+/-70	+/-70
	52	+/-70	+/-70	+/-70	+/-70	+/-70	+/-70	+/-70	+/-70	+/-70	+/-70	+/-70	+/-70	+/-70	+/-70	+/-70	+/-70
	54	+/-70	+/-70	+/-70	+/-70	+/-70	+/-70	+/-70	+/-70	+/-70	+/-70	+/-70	+/-70	+/-70	+/-70	+/-70	+/-70
	56	+/-70	+/-70	+/-70	+/-70	+/-70	+/-70	+/-70	+/-70	+/-70	+/-70	+/-70	+/-70	+/-70	+/-70	+/-70	+/-70
	58	+/-70	+/-70	+/-70	+/-70	+/-70	+/-70	+/-70	+/-70	+/-70	+/-70	+/-70	+/-70	+/-70	+/-70	+/-70	+/-70
	60	+/-70	+/-70	+/-70	+/-70	+/-70	+/-70	+/-70	+/-70	+/-70	+/-70	+/-70	+/-70	+/-70	+/-70	+/-70	+/-70
	62	+/-70	+/-70	+/-70	+/-70	+/-70	+/-70	+/-70	+/-70	+/-70	+/-70	+/-70	+/-70	+/-70	+/-70	+/-70	+/-70
63-3/16	+/-70	+/-70	+/-70	+/-70	+/-70	+/-70	+/-70	+/-70	+/-70	+/-70	+/-70	+/-70	+/-70	+/-70	+/-70	+/-70	
66-5/8	+/-70	+/-70	+/-70	+/-70	+/-70	+/-70	+/-70	+/-70	+/-70	+/-70	+/-70	+/-70	+/-70	+/-70	+/-70	+/-70	

TABLE 9:

		Sidelite/Transom Design Pressure, psf for Glass Types 5, 6 & 7															
		Long Side (in)															
		63-3/16	66-5/8	68	70	72	76	78	82	84	88	92	96	98	104	108	111
Short Side (in)	24	+/-70	+/-70	+/-70	+/-70	+/-70	+/-70	+/-70	+/-70	+/-70	+/-70	+/-70	+/-70	+/-70	+/-70	+/-70	+/-70
	28	+/-70	+/-70	+/-70	+/-70	+/-70	+/-70	+/-70	+/-70	+/-70	+/-70	+/-70	+/-70	+/-70	+/-70	+/-70	+/-70
	32	+/-70	+/-70	+/-70	+/-70	+/-70	+/-70	+/-70	+/-70	+/-70	+/-70	+/-70	+/-70	+/-70	+/-70	+/-70	+/-70
	36	+/-70	+/-70	+/-70	+/-70	+/-70	+/-70	+/-70	+/-70	+/-70	+/-70	+/-70	+/-70	+/-70	+/-70	+/-70	+/-70
	38-3/4	+/-70	+/-70	+/-70	+/-70	+/-70	+/-70	+/-70	+/-70	+/-70	+/-70	+/-70	+/-70	+/-70	+/-70	+/-70	+/-70
	40	+/-70	+/-70	+/-70	+/-70	+/-70	+/-70	+/-70	+/-70	+/-70	+/-70	+/-70	+/-70	+/-70	+/-70	+/-70	+/-70
	42	+/-70	+/-70	+/-70	+/-70	+/-70	+/-70	+/-70	+/-70	+/-70	+/-70	+/-70	+/-70	+/-70	+/-70	+/-70	+/-70
	44	+/-70	+/-70	+/-70	+/-70	+/-70	+/-70	+/-70	+/-70	+/-70	+/-70	+/-70	+/-70	+/-70	+/-70	+/-70	+/-70
	46	+/-70	+/-70	+/-70	+/-70	+/-70	+/-70	+/-70	+/-70	+/-70	+/-70	+/-70	+/-70	+/-70	+/-70	+/-70	+/-70
	48	+/-70	+/-70	+/-70	+/-70	+/-70	+/-70	+/-70	+/-70	+/-70	+/-70	+/-70	+/-70	+/-70	+/-70	+/-70	+/-70
	50	+/-70	+/-70	+/-70	+/-70	+/-70	+/-70	+/-70	+/-70	+/-70	+/-70	+/-70	+/-70	+/-70	+/-70	+/-70	+/-70
	52	+/-70	+/-70	+/-70	+/-70	+/-70	+/-70	+/-70	+/-70	+/-70	+/-70	+/-70	+/-70	+/-70	+/-70	+/-70	+/-70
	54	+/-70	+/-70	+/-70	+/-70	+/-70	+/-70	+/-70	+/-70	+/-70	+/-70	+/-70	+/-70	+/-70	+/-70	+/-70	+/-70
	56	+/-70	+/-70	+/-70	+/-70	+/-70	+/-70	+/-70	+/-70	+/-70	+/-70	+/-70	+/-70	+/-70	+/-70	+/-70	+/-70
	58	+/-70	+/-70	+/-70	+/-70	+/-70	+/-70	+/-70	+/-70	+/-70	+/-70	+/-70	+/-70	+/-70	+/-70	+/-70	+/-70
	60	+/-70	+/-70	+/-70	+/-70	+/-70	+/-70	+/-70	+/-70	+/-70	+/-70	+/-70	+/-70	+/-70	+/-70	+/-70	+/-70
	62	+/-70	+/-70	+/-70	+/-70	+/-70	+/-70	+/-70	+/-70	+/-70	+/-70	+/-70	+/-70	+/-70	+/-70	+/-70	+/-70
63-3/16	+/-70	+/-70	+/-70	+/-70	+/-70	+/-70	+/-70	+/-70	+/-70	+/-70	+/-70	+/-70	+/-70	+/-70	+/-70	+/-70	

NOTES:
 1) NARROW OR WIDE STILES AND RAILS MAY BE MIXED WITHIN THE SAME SIDELITE/TRANSOM OR MULLED ASSEMBLY.
 2) SIDELITE/TRANSOM MAY BE A SINGLE, STAND-ALONE UNIT.
 3) FOR SIZES NOT SHOWN, ROUND UP TO THE NEXT AVAILABLE SHORT OR LONG DIMENSION.

SIDELITE/TRANSOM INSTALLATION (O)



PRODUCT RENEWED
 as complying with the Florida Building Code
 NOA-No. 18-1108.03

Expiration Date 01/23/2024

By *[Signature]*
 Miami-Dade Product Control

PRODUCT REVISED
 as complying with the Florida Building Code
 Acceptance No. 17-0504-05
 Expiration Date Jan 23, 2019

By *[Signature]*
 Miami-Dade Product Control

Revision C) NO CHANGES THIS SHEET
 JR - 04/10/17

1070 TECHNOLOGY DRIVE
 N. VENICE, FL 34275
 (941)-480-1600

COPYRIGHT © 2017 PGT INDUSTRIES, INC.
 ALL RIGHTS RESERVED

CERT. OF AUTH. #29296

VINYL FRENCH DOOR AND SL/TR
 DESIGN PRESSURE 2

DATE 5/7/13
 BY J ROSOWSKI
 NO. MD-555.1

FD-5555
 NTS
 5 OF 12
 Scale

ANTHONY LYNN MILLER
 LICENSE
 No. 58705
 STATE OF FLORIDA
 PROFESSIONAL ENGINEER

A. LYNN MILLER, P.E.
 P.E.# 58705

TABLE 10:

		Sidelite/Transom Anchor Quantity																															
		Long Side (in)																															
		63-3/16		66-5/8		68		70		72		76		78		82		84		88		92		96		98		104		108		111	
Anchor Group A	Anchor Groups B-D	Anchor Group A	Anchor Groups B-D	Anchor Group A	Anchor Groups B-D	Anchor Group A	Anchor Groups B-D	Anchor Group A	Anchor Groups B-D	Anchor Group A	Anchor Groups B-D	Anchor Group A	Anchor Groups B-D	Anchor Group A	Anchor Groups B-D	Anchor Group A	Anchor Groups B-D	Anchor Group A	Anchor Groups B-D	Anchor Group A	Anchor Groups B-D	Anchor Group A	Anchor Groups B-D	Anchor Group A	Anchor Groups B-D	Anchor Group A	Anchor Groups B-D	Anchor Group A	Anchor Groups B-D	Anchor Group A	Anchor Groups B-D		
24	Short Side	2	2	2	2	2	2	2	2	2	2	2	2	2	2	2	2	2	2	2	2	2	2	2	2	2	2	2	2	2	2		
	Long Side	4	4	4	4	4	4	4	4	4	4	4	4	4	4	4	4	5	5	5	5	5	5	5	5	5	5	6	5	5	6	6	
28	Short Side	2	2	2	2	2	2	2	2	2	2	2	2	2	2	2	2	2	2	2	2	2	2	2	2	2	2	2	2	2	2		
	Long Side	4	4	4	4	4	4	4	4	4	4	5	4	5	4	5	5	5	5	6	5	6	5	6	5	6	5	5	7	6	7	6	
32	Short Side	2	2	2	2	2	2	2	2	2	2	2	2	2	2	2	2	2	2	2	2	2	2	2	2	2	2	2	2	2	2		
	Long Side	4	4	4	4	4	4	4	4	5	4	5	4	5	4	5	4	6	5	6	5	6	5	7	5	7	5	5	7	6	8	6	
36	Short Side	2	2	2	2	2	2	2	2	2	2	2	2	2	2	2	2	2	2	2	2	2	2	2	2	2	2	2	2	2	2		
	Long Side	4	4	5	4	5	4	5	4	5	4	5	4	5	4	6	4	6	5	6	5	7	5	7	5	7	5	8	5	5	7	6	8
38-3/4	Short Side	2	2	2	2	2	2	2	2	2	2	2	2	2	2	2	2	2	2	2	2	2	2	2	2	2	2	2	2	2	2		
	Long Side	4	4	5	4	5	4	5	4	5	4	6	4	6	4	6	4	6	5	7	5	7	5	7	5	8	5	8	5	5	8	6	9
40	Short Side	2	2	2	2	2	2	2	2	2	2	2	2	2	2	2	2	2	2	2	2	2	2	2	2	2	2	2	2	2	2		
	Long Side	4	4	5	4	5	4	5	4	5	4	6	4	6	4	6	4	6	5	7	5	7	5	8	5	8	5	8	5	5	9	6	9
42	Short Side	3	3	3	3	3	3	3	3	3	3	3	3	3	3	3	3	3	3	3	3	3	3	3	3	3	3	3	3	3	3		
	Long Side	5	4	5	4	5	4	5	4	5	4	6	4	6	4	6	4	7	5	7	5	7	5	8	5	8	5	8	5	5			
44	Short Side	3	3	3	3	3	3	3	3	3	3	3	3	3	3	3	3	3	3	3	3	3	3	3	3	3	3	3	3	3	3		
	Long Side	5	4	5	4	5	4	5	4	6	4	6	4	6	4	7	4	7	5	7	5	7	5	8	5	8	5	8	5				
46	Short Side	3	3	3	3	3	3	3	3	3	3	3	3	3	3	3	3	3	3	3	3	3	3	3	3	3	3	3	3	3	3		
	Long Side	5	4	5	4	5	4	6	4	6	4	6	4	6	4	7	4	7	5	7	5	7	5	8	5	8	5						
48	Short Side	3	3	3	3	3	3	3	3	3	3	3	3	3	3	3	3	3	3	3	3	3	3	3	3	3	3	3	3	3	3		
	Long Side	5	4	5	4	5	4	6	4	6	4	6	4	6	4	7	4	7	5	7	5	7	5	8	5	8	5						
50	Short Side	3	3	3	3	3	3	3	3	3	3	3	3	3	3	3	3	3	3	3	3	3	3	3	3	3	3	3	3	3	3		
	Long Side	5	4	5	4	5	4	6	4	6	4	6	4	6	4	7	4	7	5	7	5	7	5	8	5	8	5						
52	Short Side	4	3	4	3	4	3	4	3	4	3	4	3	4	3	4	3	4	3	4	3	4	3	4	3	4	3	4	3	4	3		
	Long Side	5	4	5	4	6	4	6	4	6	4	6	4	6	4	7	4	7	5	7	5	7	5	8	5	8	5						
54	Short Side	4	3	4	3	4	3	4	3	4	3	4	3	4	3	4	3	4	3	4	3	4	3	4	3	4	3	4	3	4	3		
	Long Side	5	4	5	4	6	4	6	4	6	4	6	4	6	4	7	4	7	5	7	5	7	5	8	5	8	5						
56	Short Side	4	3	4	3	4	3	4	3	4	3	4	3	4	3	4	3	4	3	4	3	4	3	4	3	4	3	4	3	4	3		
	Long Side	5	4	6	4	6	4	6	4	6	4	6	4	6	4	7	4	7	5	7	5	7	5	8	5	8	5						
58	Short Side	4	3	4	3	4	3	4	3	4	3	4	3	4	3	4	3	4	3	4	3	4	3	4	3	4	3	4	3	4	3		
	Long Side	5	4	6	4	6	4	6	4	6	4	6	4	6	4	7	4	7	5	7	5	7	5	8	5	8	5						
60	Short Side	5	4	5	4	5	4	5	4	5	4	5	4	5	4	5	4	5	4	5	4	5	4	5	4	5	4	5	4	5	4		
	Long Side	5	4	6	4	6	4	6	4	6	4	6	4	6	4	7	4	7	5	7	5	7	5	8	5	8	5						
62	Short Side	5	4	5	4	5	4	5	4	5	4	5	4	5	4	5	4	5	4	5	4	5	4	5	4	5	4	5	4	5	4		
	Long Side	5	4	6	4	6	4	6	4	6	4	6	4	6	4	7	4	7	5	7	5	7	5	8	5	8	5						
63-3/16	Short Side	5	4	5	4	5	4	5	4	5	4	5	4	5	4	5	4	5	4	5	4	5	4	5	4	5	4	5	4	5	4		
	Long Side	5	4	6	4	6	4	6	4	6	4	6	4	6	4	7	4	7	5	7	5	7	5	8	5	8	5						
66-5/8	Short Side	5	4	6	4																												
	Long Side	6	4	6	4																												

NOTES:
 1) NARROW OR WIDE STILES AND RAILS MAY BE MIXED WITHIN THE SAME SIDELITE/TRANSOM OR MULLED ASSEMBLY.
 2) SIDELITE/TRANSOM MAY BE A SINGLE, STAND-ALONE UNIT.
 3) FOR SIZES NOT SHOWN, ROUND UP TO THE NEXT AVAILABLE SHORT OR LONG DIMENSION.

PRODUCT RENEWED
 as complying with the Florida Building Code
 NOA-No. 18-1108.03
 Expiration Date 01/23/2024
 By *[Signature]*
 Miami-Dade Product Control

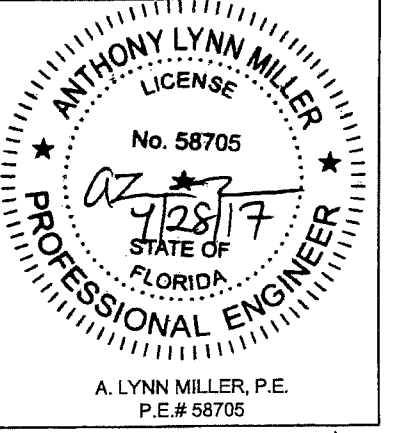
PRODUCT REVISED
 as complying with the Florida Building Code
 Acceptance No. 17-0504.05
 Expiration Date 12-23-2019
 By *[Signature]*
 Miami-Dade Product Control

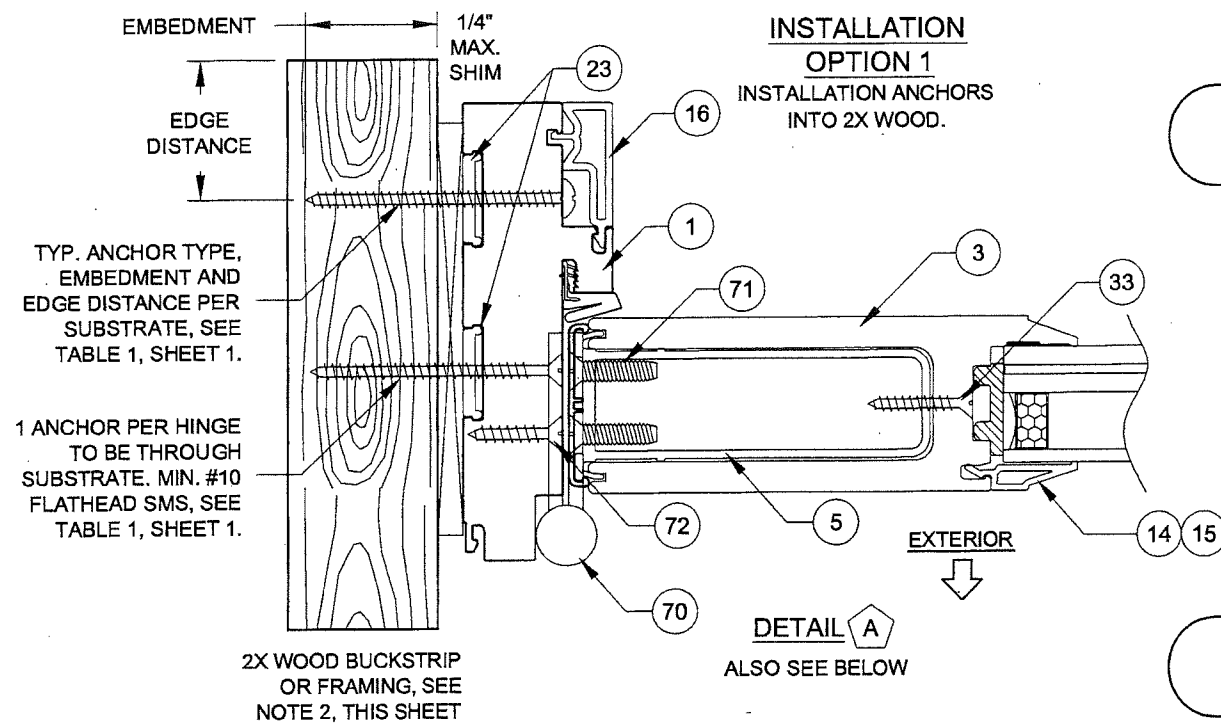
Revision
 C) NO CHANGES THIS SHEET
 JR - 04/10/17

1070 TECHNOLOGY DRIVE
 N. VENICE, FL 34275
 (941)-480-1600

COPYRIGHT © 2017 PGT INDUSTRIES, INC.
 ALL RIGHTS RESERVED

DATE 5/7/13
 BY J ROSOWSKI
 DRAWN BY J ROSOWSKI
 NO. DWG 6 OF 12
 SHEET NTS
 SCALE
 SERIES FD-5555
 DESC. SLT/TR ANCHOR QUANTITIES
 REV. C MD-555.1



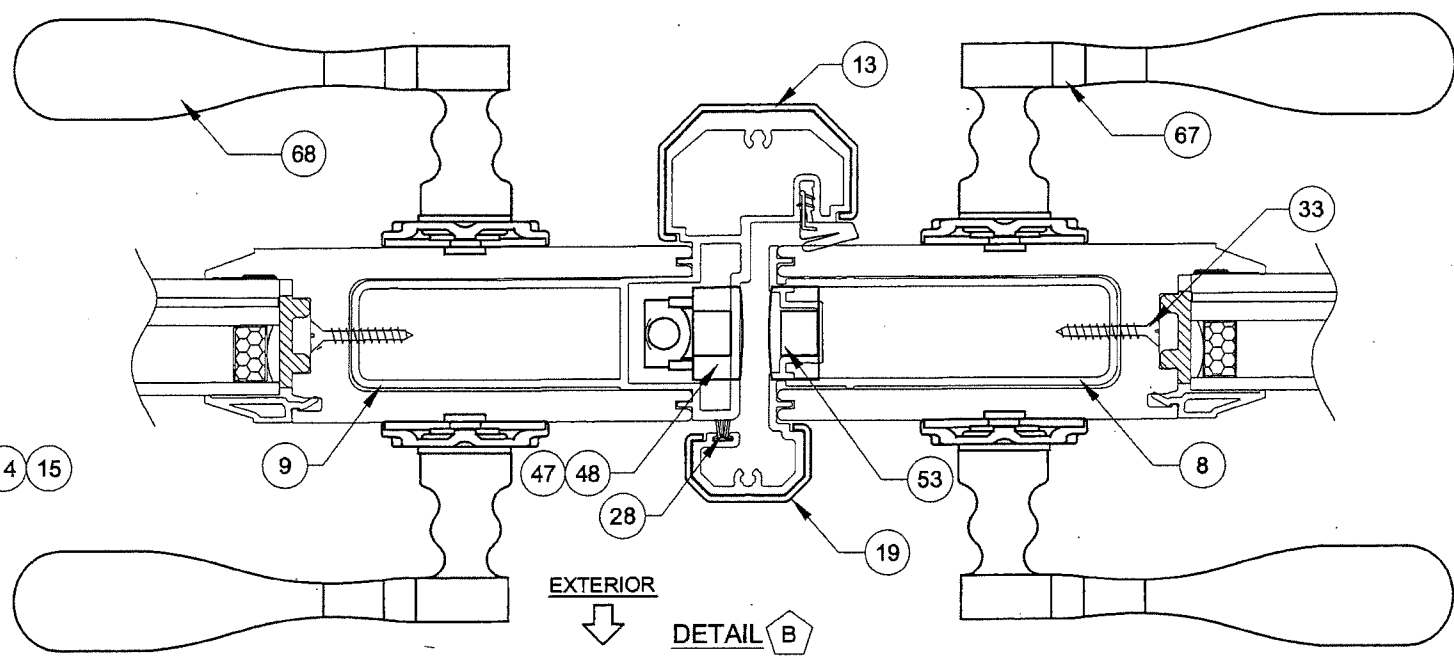


TYP. ANCHOR TYPE, EMBEDMENT AND EDGE DISTANCE PER SUBSTRATE, SEE TABLE 1, SHEET 1.

1 ANCHOR PER HINGE TO BE THROUGH SUBSTRATE. MIN. #10 FLATHEAD SMS, SEE TABLE 1, SHEET 1.

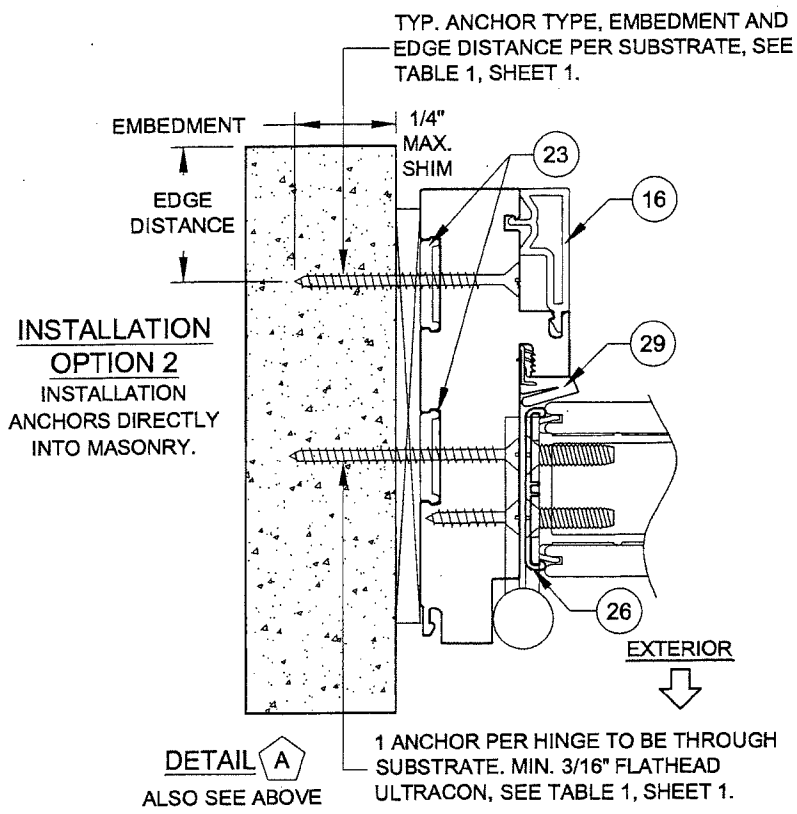
2X WOOD BUCKSTRIP OR FRAMING, SEE NOTE 2, THIS SHEET

DETAIL A
ALSO SEE BELOW



DETAIL B

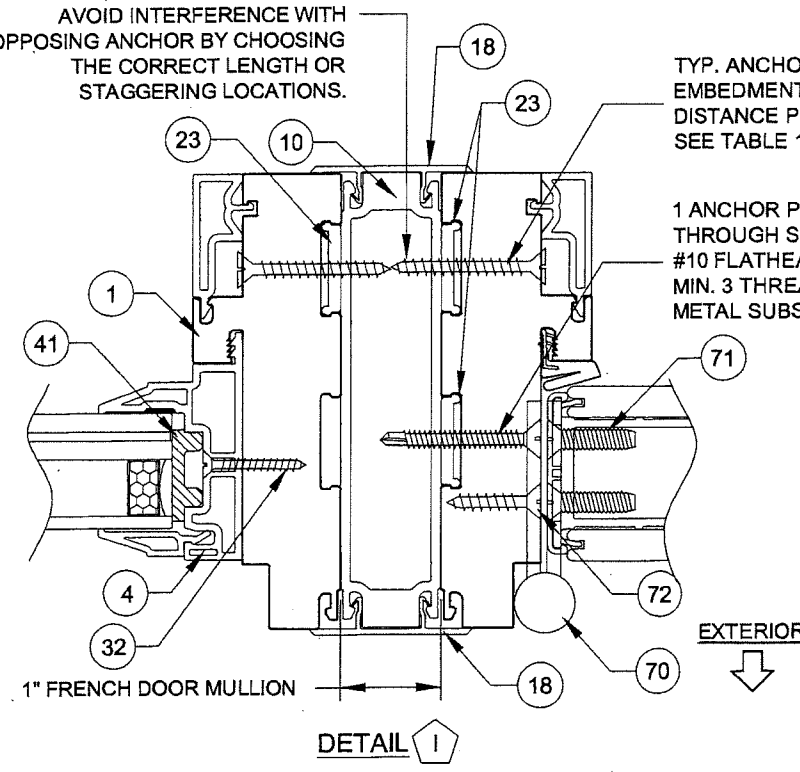
TYP. ANCHOR TYPE, EMBEDMENT AND EDGE DISTANCE PER SUBSTRATE, SEE TABLE 1, SHEET 1. AVOID INTERFERENCE WITH OPPOSING ANCHOR BY CHOOSING THE CORRECT LENGTH OR STAGGERING LOCATIONS.



INSTALLATION OPTION 2
INSTALLATION ANCHORS DIRECTLY INTO MASONRY.

DETAIL A
ALSO SEE ABOVE

1 ANCHOR PER HINGE TO BE THROUGH SUBSTRATE. MIN. 3/16\"/>

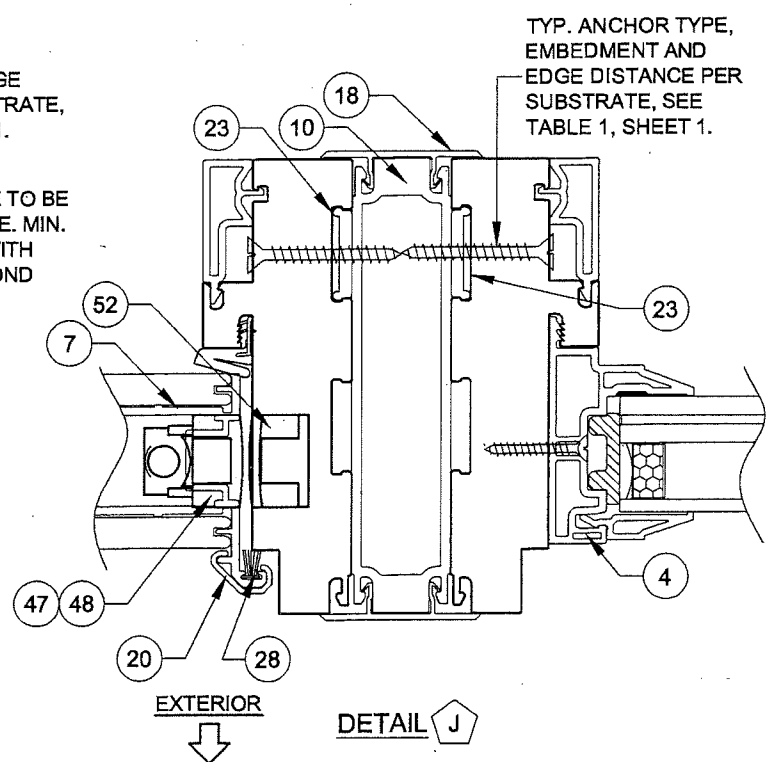


1\"/>

DETAIL I

TYP. ANCHOR TYPE, EMBEDMENT AND EDGE DISTANCE PER SUBSTRATE, SEE TABLE 1, SHEET 1.

1 ANCHOR PER HINGE TO BE THROUGH SUBSTRATE. MIN. #10 FLATHEAD SMS WITH MIN. 3 THREADS BEYOND METAL SUBSTRATE.

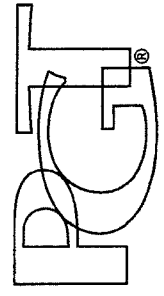


DETAIL J

PRODUCT RENEWED
as complying with the Florida Building Code
NOA-No. 18-1108.03
Expiration Date 01/23/2024
By *[Signature]*
Miami-Dade Product Control

PRODUCT REVISED
as complying with the Florida Building Code
Acceptance No. 17-0524.05
Expiration Date 12/23, 2019
By *[Signature]*
Miami Dade Product Control

Revision C) NO CHANGES THIS SHEET
JR - 04/10/17

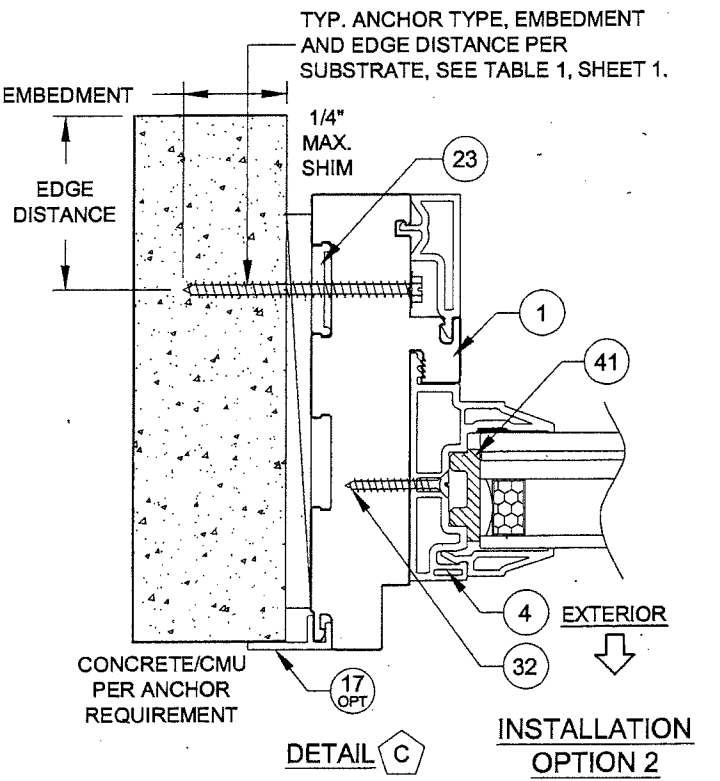
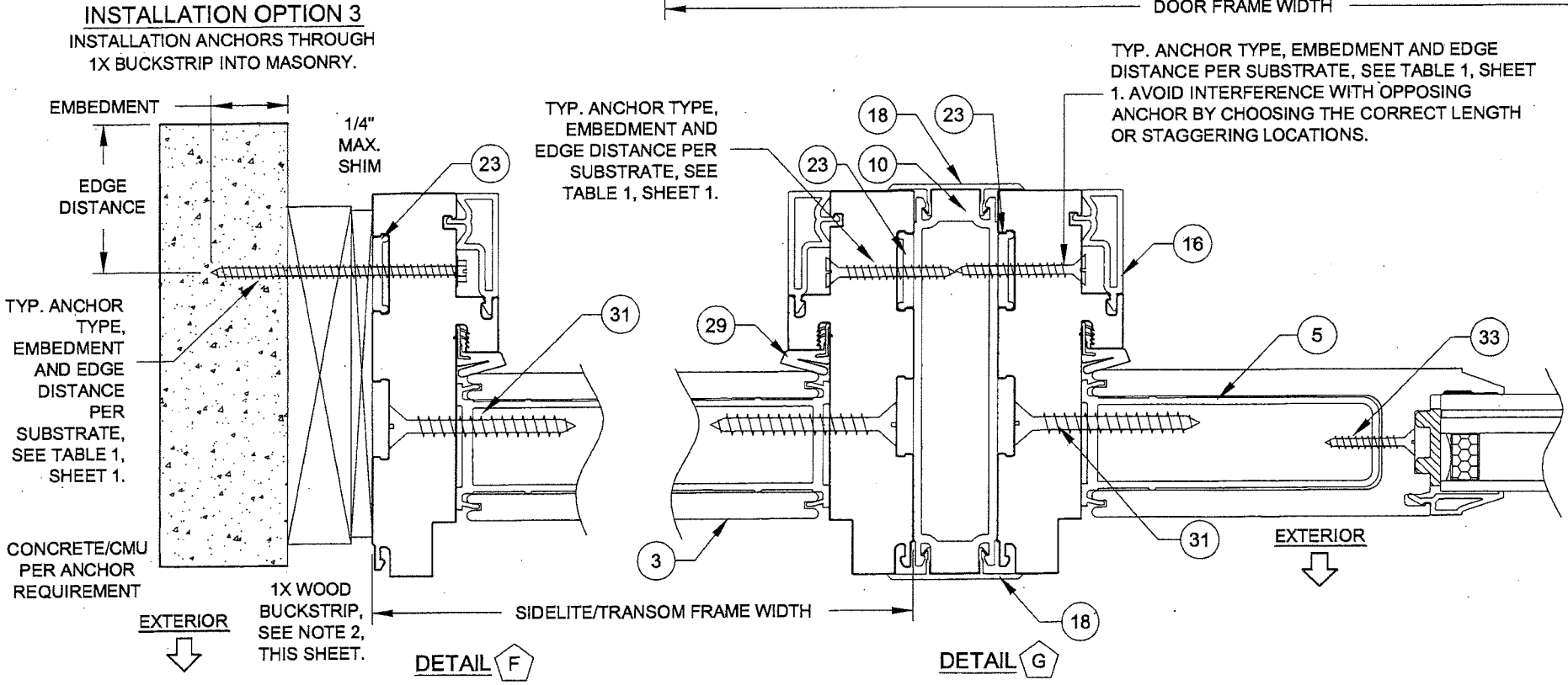
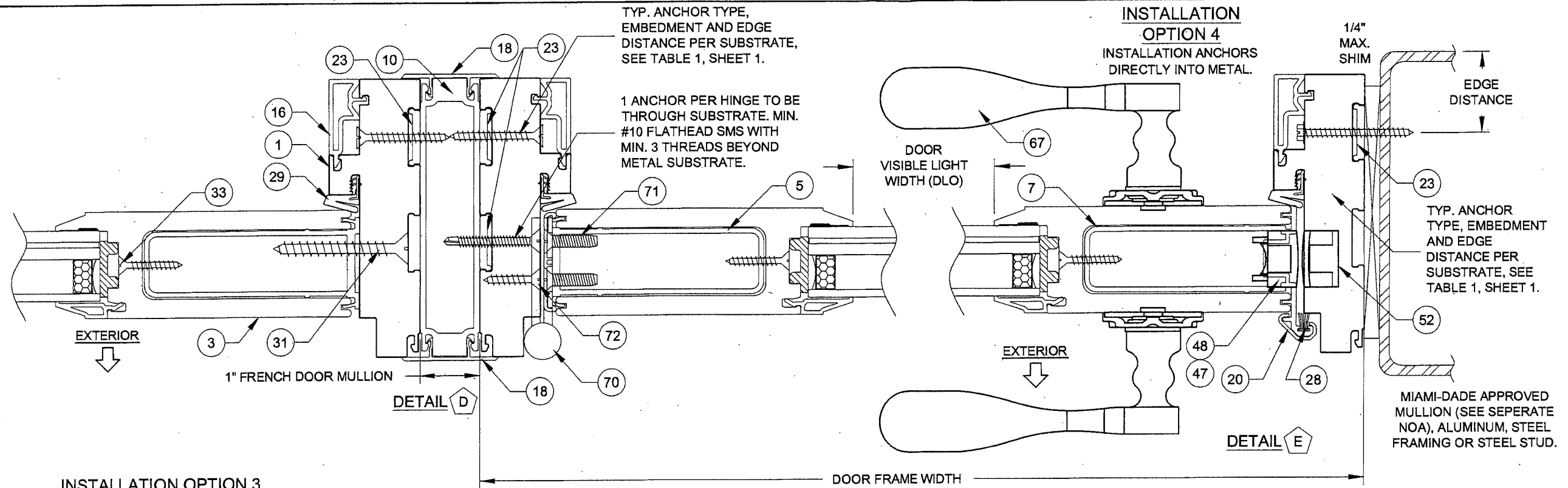
1070 TECHNOLOGY DRIVE N. VENICE, FL 34275 (941)-480-1600	COPYRIGHT © 2017 PGT INDUSTRIES, INC. ALL RIGHTS RESERVED	Date	5/7/13	Rev.	C
		By	J ROSOWSKI	MD-555.1	
 CERT. OF AUTH. #29296 VINYL FRENCH DOOR AND SL/TR INSTALLATION 1	DWG No. 7 OF 12 Sheet NTS Scale	Drawn	J ROSOWSKI	MD-555.1	
		Series	FD-5555		
		Desc. Title	INSTALLATION 1		

ANTHONY LYNN MILLER
LICENSE
No. 58705
[Signature]
9/28/17
STATE OF FLORIDA
PROFESSIONAL ENGINEER

A. LYNN MILLER, P.E.
P.E.# 58705

INSTALLATION NOTES:

- 1) USE ONLY SUBSTRATE-APPROPRIATE ANCHORS LISTED ON TABLE 1, SHEET 1. FOLLOW EMBEDMENT AND EDGE DISTANCE LIMITS. ANY INSTALLATION OPTION SHOWN MAY BE USED ON ANY SIDE OF THE DOOR, SIDELITE OR TRANSOM.
- 2) WOOD BUCKS DEPICTED ON THIS SHEET AS "1X", ARE BUCKS WHOSE TOTAL THICKNESS IS LESS THAN 1-1/2". 1X WOOD BUCKS ARE OPTIONAL IF UNIT CAN BE INSTALLED DIRECTLY TO MASONRY. WOOD BUCKS DEPICTED AS "2X" ARE 1-1/2" THICK OR GREATER. INSTALLATION TO THE SUBSTRATE OF WOOD BUCKS TO BE ENGINEERED BY OTHERS OR AS APPROVED BY THE AUTHORITY HAVING JURISDICTION.
- 3) FOR ATTACHMENT TO METAL: THE STRUCTURAL MEMBER SHALL BE OF A SIZE TO PROVIDE FULL SUPPORT TO THE FRAME OF THE DOOR, SIDELITE OR TRANSOM.
- 4) IF APPLICABLE, LOWEST DESIGN PRESSURE FROM DOOR, SIDELITE, TRANSOM OR MULLION APPLIES TO THE WHOLE SYSTEM.



INSTALLATION NOTES:

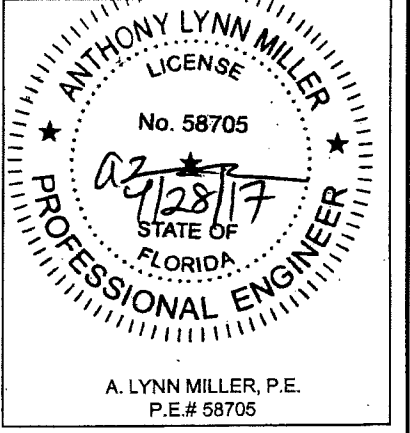
- 1) USE ONLY SUBSTRATE-APPROPRIATE ANCHORS LISTED ON TABLE 1, SHEET 1. FOLLOW EMBEDMENT AND EDGE DISTANCE LIMITS. ANY INSTALLATION OPTION SHOWN MAY BE USED ON ANY SIDE OF THE DOOR, SIDELITE OR TRANSOM.
- 2) WOOD BUCKS DEPICTED ON THIS SHEET AS "1X", ARE BUCKS WHOSE TOTAL THICKNESS IS LESS THAN 1-1/2". 1X WOOD BUCKS ARE OPTIONAL IF UNIT CAN BE INSTALLED DIRECTLY TO MASONRY. WOOD BUCKS DEPICTED AS "2X" ARE 1-1/2" THICK OR GREATER. INSTALLATION TO THE SUBSTRATE OF WOOD BUCKS TO BE ENGINEERED BY OTHERS OR AS APPROVED BY THE AUTHORITY HAVING JURISDICTION.
- 3) FOR ATTACHMENT TO METAL: THE STRUCTURAL MEMBER SHALL BE OF A SIZE TO PROVIDE FULL SUPPORT TO THE FRAME OF THE DOOR, SIDELITE OR TRANSOM.
- 4) IF APPLICABLE, LOWEST DESIGN PRESSURE FROM DOOR, SIDELITE, TRANSOM OR MULLION APPLIES TO THE WHOLE SYSTEM.

PRODUCT RENEWED
 as complying with the Florida Building Code
 NOA-No. 18-1108.03
 Expiration Date 01/23/2024
 By Miami-Dade Product Control

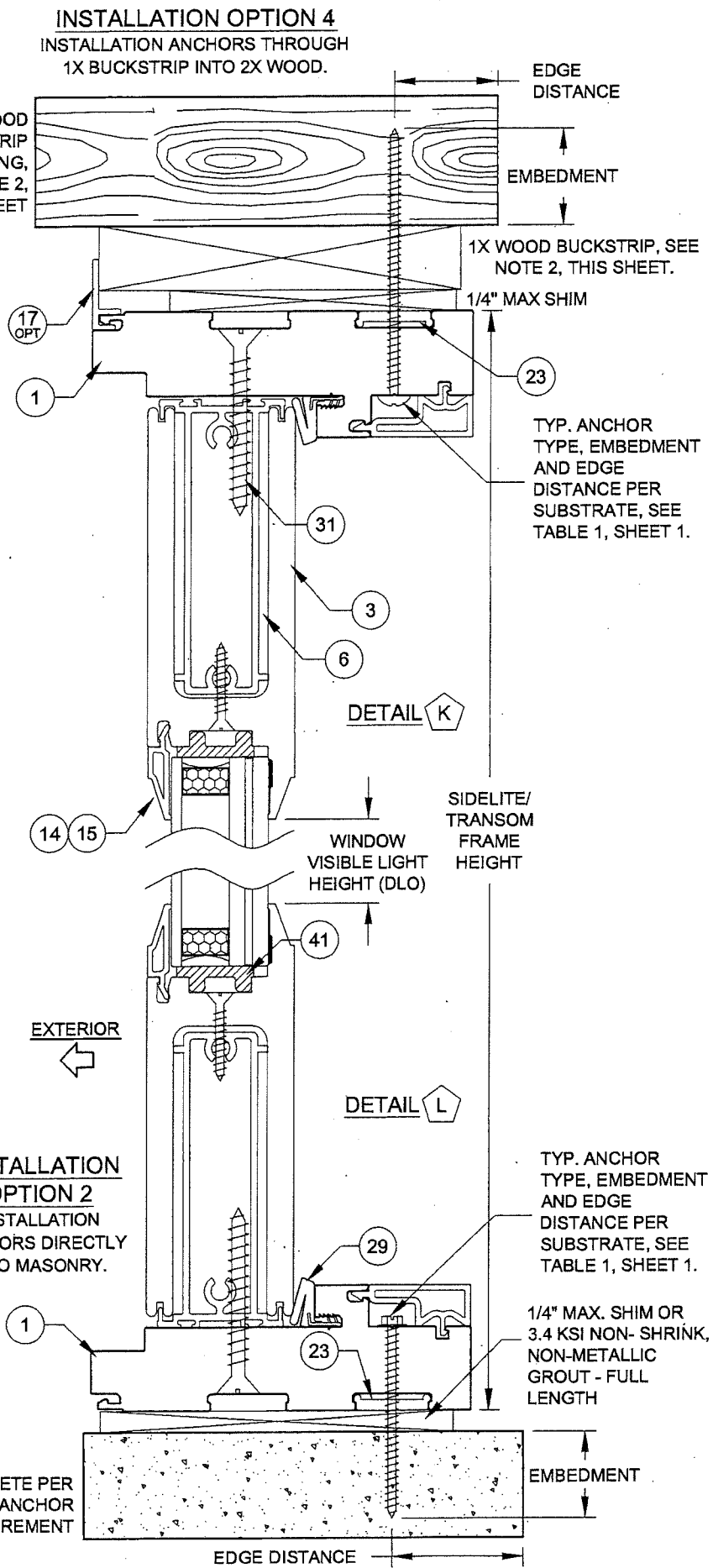
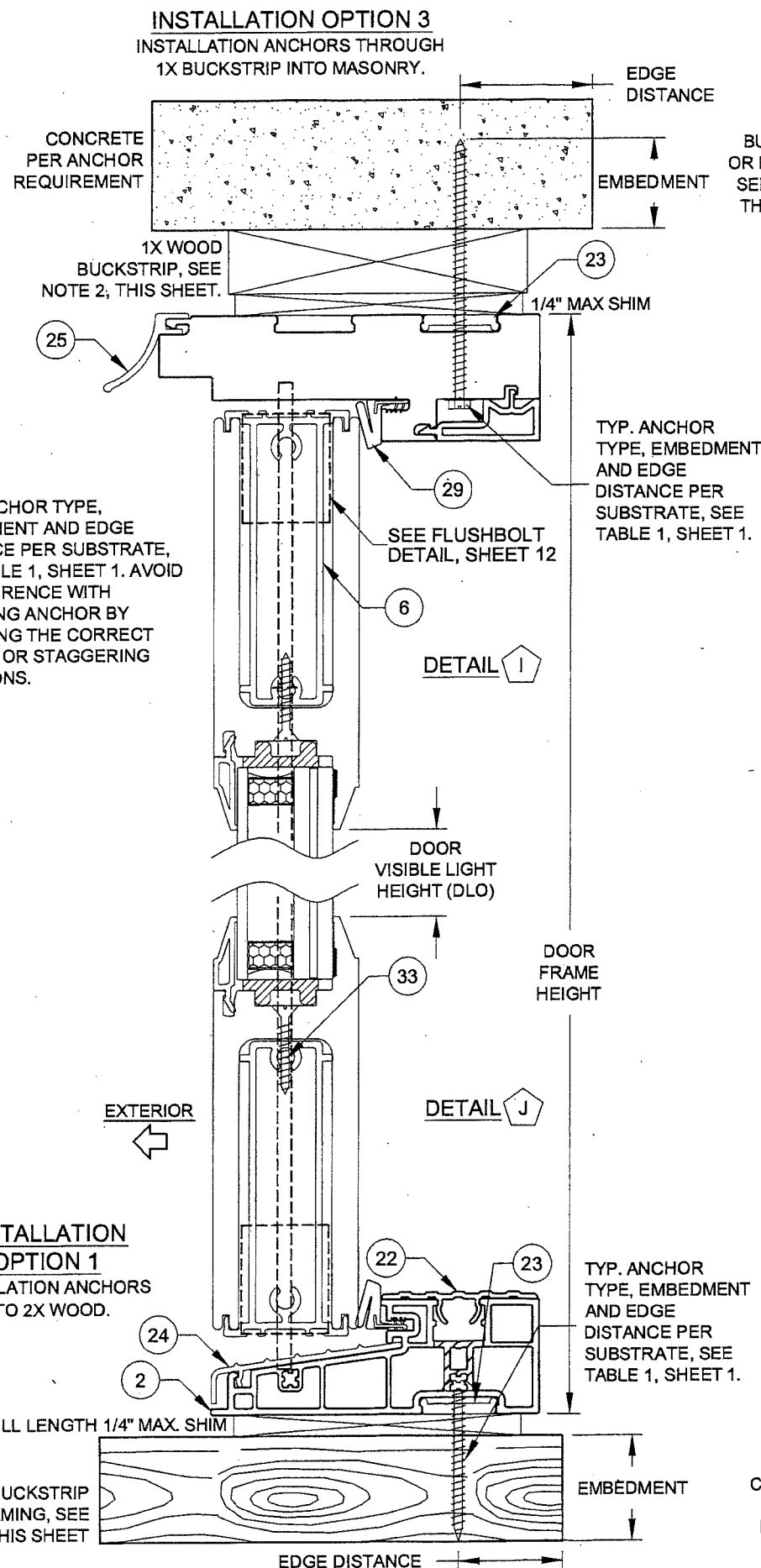
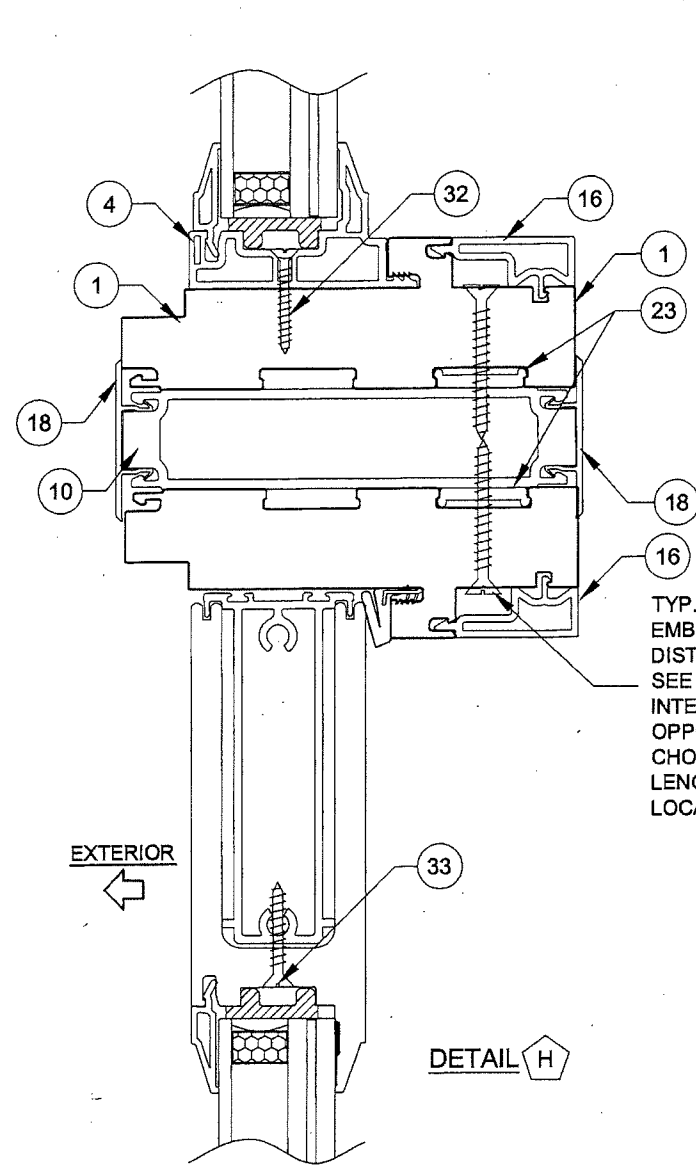
PRODUCT REVISED
 as complying with the Florida Building Code
 Acceptance No. 17-0504.05
 Expiration Date 12/23, 2019
 By Miami Dade Product Control

Revision C) NO CHANGES THIS SHEET
 JR - 04/10/17

1070 TECHNOLOGY DRIVE N. VENICE, FL 34275 (941)-480-1600	COPYRIGHT © 2017 PGT INDUSTRIES, INC. ALL RIGHTS RESERVED	Date	5/7/13	Rev.	C
		By	J ROSOWSKI	DWG No.	MD-555.1
		Scale	NTS	Sheet	8 OF 12
		Series Desc. Title	INSTALLATION 2	VINYL FRENCH DOOR AND SLT/TR	FD-5555



A. LYNN MILLER, P.E.
 P.E.# 58705

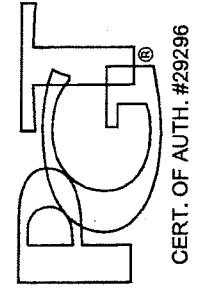


- INSTALLATION NOTES:**
- 1) USE ONLY SUBSTRATE-APPROPRIATE ANCHORS LISTED ON TABLE 1, SHEET 1. FOLLOW EMBEDMENT AND EDGE DISTANCE LIMITS. ANY INSTALLATION OPTION SHOWN MAY BE USED ON ANY SIDE OF THE DOOR, SIDELITE OR TRANSOM.
 - 2) WOOD BUCKS DEPICTED ON THIS SHEET AS "1X", ARE BUCKS WHOSE TOTAL THICKNESS IS LESS THAN 1-1/2". 1X WOOD BUCKS ARE OPTIONAL IF UNIT CAN BE INSTALLED DIRECTLY TO MASONRY. WOOD BUCKS DEPICTED AS "2X" ARE 1-1/2" THICK OR GREATER. INSTALLATION TO THE SUBSTRATE OF WOOD BUCKS TO BE ENGINEERED BY OTHERS OR AS APPROVED BY THE AUTHORITY HAVING JURISDICTION.
 - 3) FOR ATTACHMENT TO METAL: THE STRUCTURAL MEMBER SHALL BE OF A SIZE TO PROVIDE FULL SUPPORT TO THE FRAME OF THE DOOR, SIDELITE OR TRANSOM.
 - 4) IF APPLICABLE, LOWEST DESIGN PRESSURE FROM DOOR, SIDELITE, TRANSOM OR MULLION APPLIES TO THE WHOLE SYSTEM.

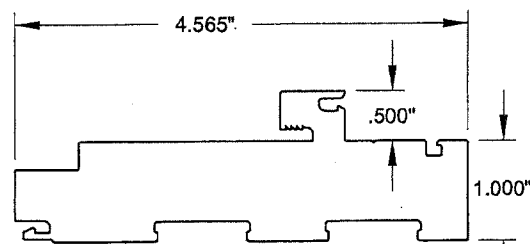
PRODUCT RENEWED
 as complying with the Florida Building Code
 NOA-No. 18-1108.03
 Expiration Date 01/23/2024
 By Miami-Dade Product Control

PRODUCT REVISED
 as complying with the Florida Building Code
 Acceptance No. 17-0504.05
 Expiration Date Jan. 23, 2019
 By Miami-Dade Product Control

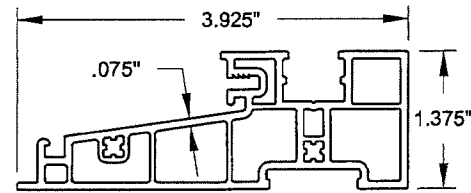
Revision C) REVISED # 22 - JR - 04/10/17

1070 TECHNOLOGY DRIVE N. VENICE, FL 34275 (941)-480-1600	COPYRIGHT © 2017 PGT INDUSTRIES, INC. ALL RIGHTS RESERVED	Date	5/7/13	J ROSOWSKI	Rev	C
		Drawn By			MD-555.1	
 CERT. OF AUTH. #29296 VINYL FRENCH DOOR AND SLTTR INSTALLATION 3	No. 9 OF 12 Sheet Scale NTS	DWG	9 OF 12	MD-555.1	Rev	C
		Series	FD-5555	Desc.	INSTALLATION 3	
		Scale	NTS			

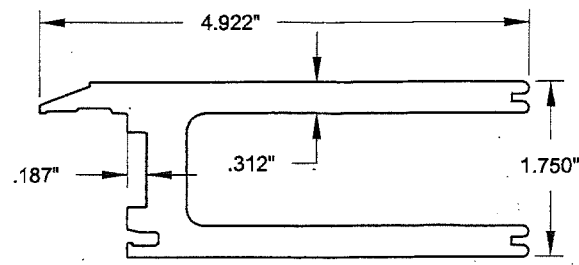
ANTHONY LYNN MILLER
 LICENSE
 No. 58705
 4/20/17
 STATE OF FLORIDA
 PROFESSIONAL ENGINEER
 A. LYNN MILLER, P.E.
 P.E.# 58705



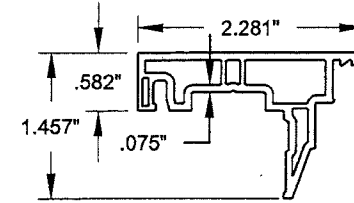
1 **FRAME HEAD & JAMB**
#20000, Rigid Cellular PVC



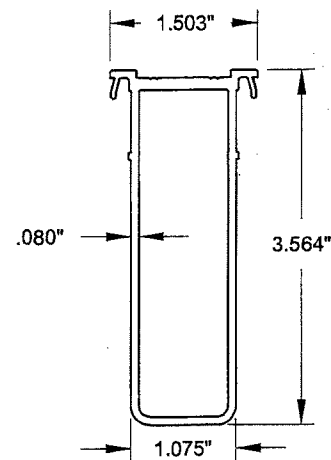
2 **FRAME SILL**
#20001, Rigid PVC



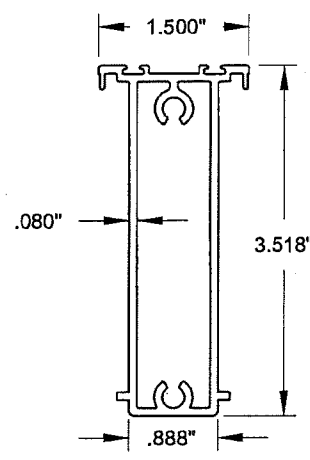
3 **PANEL RAIL & STILE**
#20002, Rigid Cellular PVC



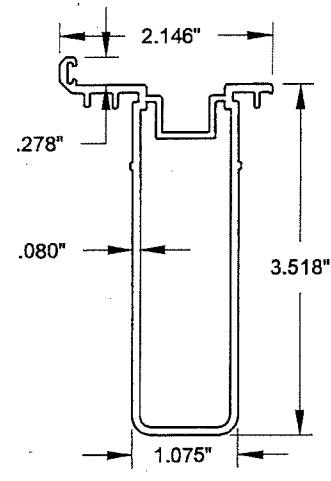
4 **SIDELITE ADAPTER**
#20003, Rigid PVC



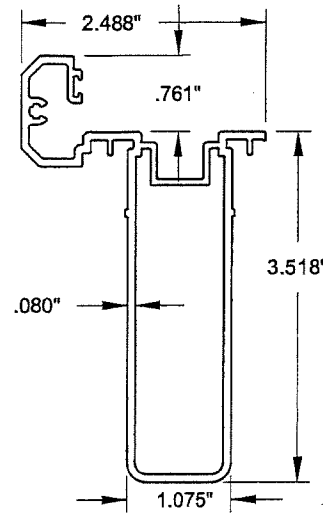
5 **HINGE STILE REINFORCEMENT**
#20013, 6063-T6



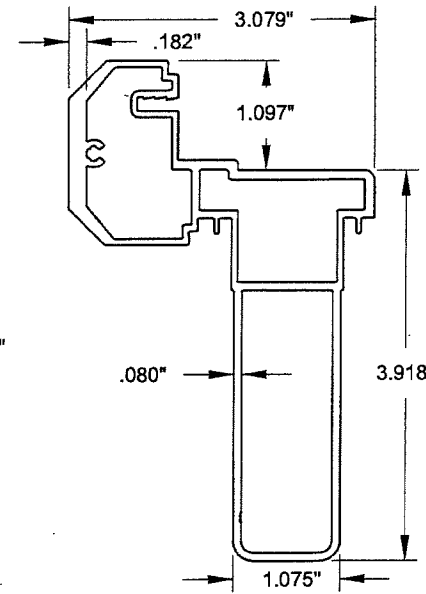
6 **TOP & BOTTOM RAIL REINFORCEMENT**
#20014, 6063-T6



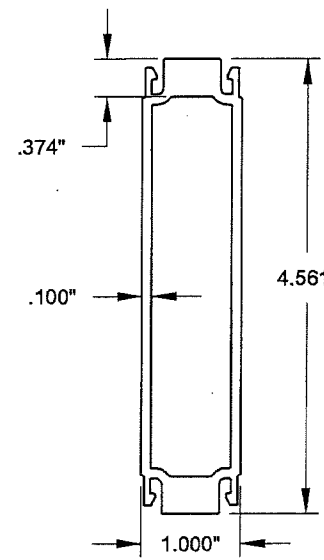
7 **PANEL STILE REINFORCEMENT**
#20015, 6063-T6



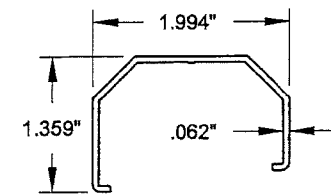
8 **ACTIVE ASTRAGAL**
#20016, 6063-T6



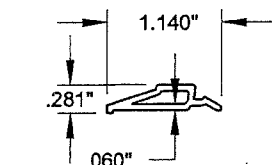
9 **INACTIVE ASTRAGAL**
#20017, 6063-T6



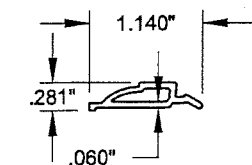
10 **1\"/>**



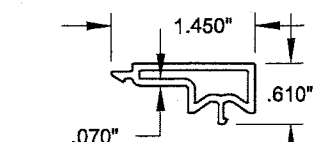
13 **INACTIVE ASTRAGAL COVER**
#20004, Rigid PVC



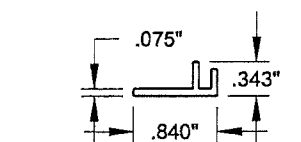
14 **BEVELED BEAD**
#20005, Rigid PVC



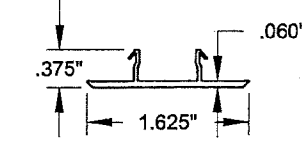
15 **OGEE BEAD**
#20006, Rigid PVC



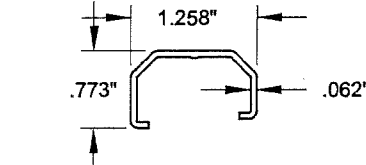
16 **FRAME SCREW COVER**
#20007, Rigid PVC



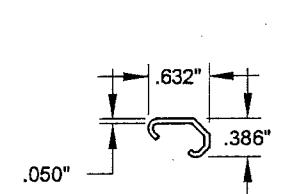
17 **ADD-ON FIN/FLANGE**
#20008, Rigid PVC



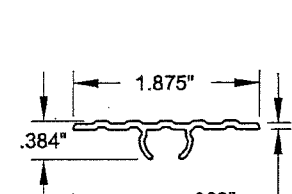
18 **1\"/>**



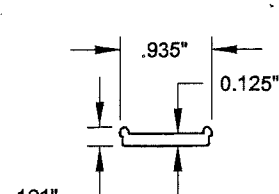
19 **ACTIVE ASTRAGAL COVER**
#20011, Rigid PVC



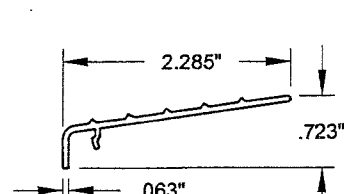
20 **SINGLE DOOR ASTRAGAL COVER**
#20012, Rigid PVC



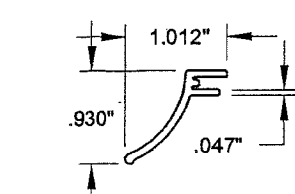
22 **THRESHOLD COVER**
#20057, 6063-T5



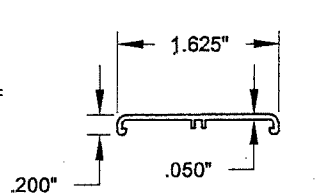
23 **ANCHOR PLATE**
#19031, 6063-T6



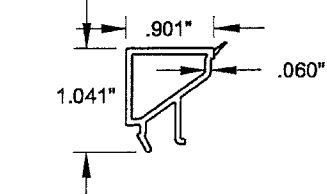
24 **THRESHOLD CAP**
#20020, 6063-T6



25 **DRIP CAP**
#20021, 6063-T6



26 **HINGE TRIM COVER**
#20023, Rigid PVC



27 **7/16\"/>**

PRODUCT RENEWED
as complying with the Florida Building Code
NOA-No. **18-1108.03**
Expiration Date **01/23/2024**
By *[Signature]*
Miami-Dade Product Control

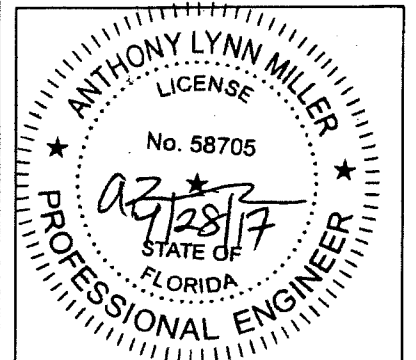
PRODUCT REVISED
as complying with the Florida Building Code
Acceptance No. **17-0504.05**
Expiration Date **Jan. 23, 2019**
By *[Signature]*
Miami-Dade Product Control

Revision C) REVISED # 22 - JR - 04/10/17

1070 TECHNOLOGY DRIVE
N. VENICE, FL 34275
(941)-480-1600
COPYRIGHT © 2017 PGT INDUSTRIES, INC.
ALL RIGHTS RESERVED

VINYL FRENCH DOOR AND SLIT/TR
EXTRUSIONS
FD-5555

Scale NTS
Sheet 10 OF 12
DWC No. MD-555.1
Rev. C
Date 5/7/13
By J ROSOWSKI



A. LYNN MILLER, P.E.
P.E.# 58705

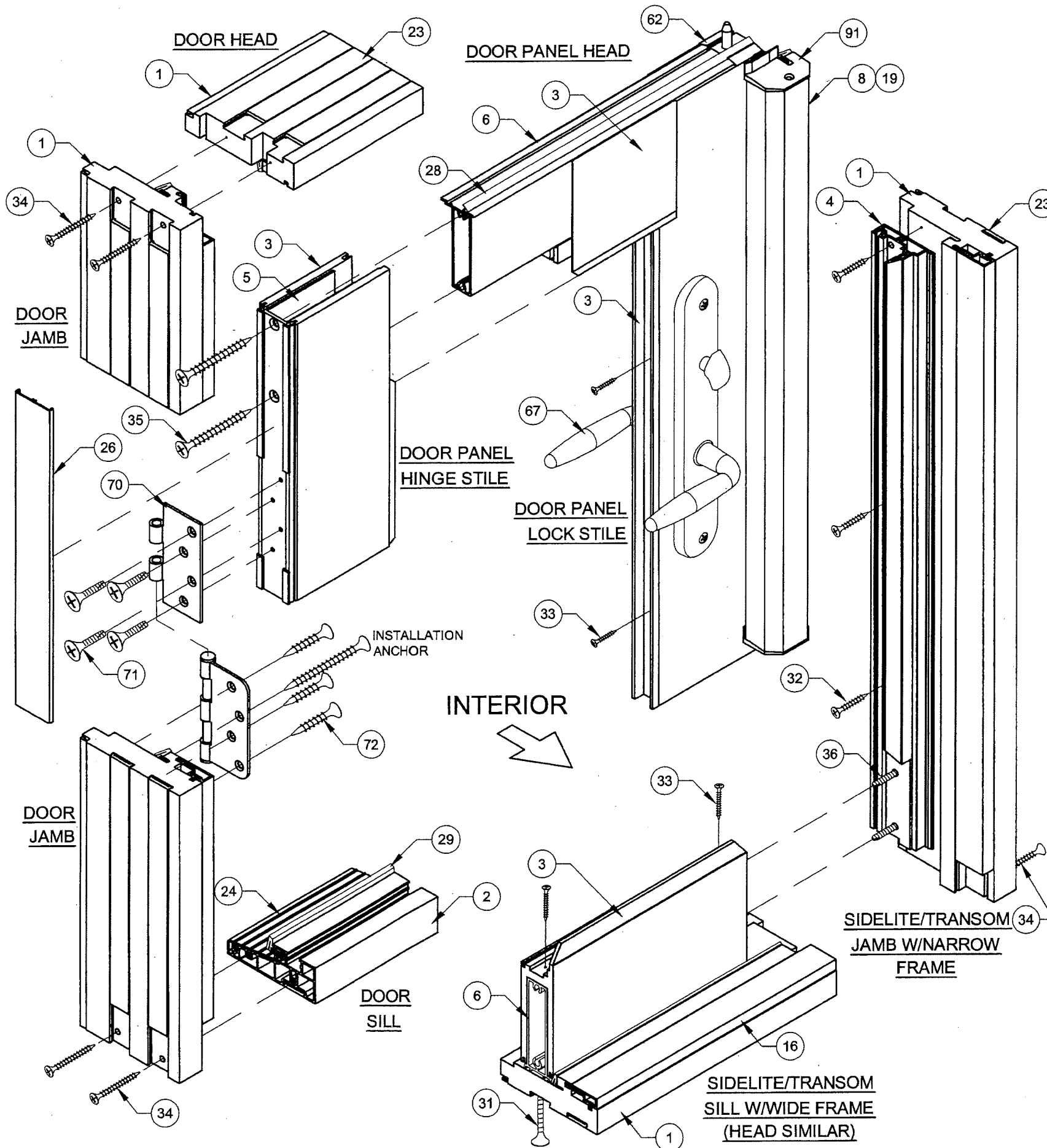
TABLE 11:

#	PGT Part #	Description	Material
1	20000	Door & Sidelite/Transom Main Frame	Cellular PVC
2	20001	Door Frame Sill	Rigid PVC
3	20002	Panel Stile & Rail	Cellular PVC
4	20003	Sidelite Adapter	Rigid PVC
5	20013	Hinge Stile Reinforcement	Alum., 6063-T6
6	20014	Panel Rail Reinforcement	Alum., 6063-T6
7	20015	Panel Stile Reinforcement	Alum., 6063-T6
8	20016	Active Astragal	Rigid PVC
9	20017	Inactive Astragal	Rigid PVC
10	20022	1" French Door Mullion	Alum., 6063-T6
13	20004	Inactive Astragal Cover	Rigid PVC
14	20005	1-1/16" Bevel Bead	Rigid PVC
15	20006	1-1/16" Ogee Bead	Rigid PVC
16	20007	Screw Cover	Rigid PVC
17	20008	Add-on Fin/Flange	Rigid PVC
18	20009	1" Mullion Cap	Rigid PVC
19	20011	Active Astragal Cover	Rigid PVC
20	20012	Single Door Astragal Cover	Rigid PVC
22	20057	Threshold Cover	Alum., 6063-T5
23	19031	Anchor Plate	Alum., 6063-T6
24	20020	Threshold Cover	Alum., 6063-T6
25	20021	Drip Cap	Rigid PVC
26	20023	Hinge Trim Cover	Rigid PVC
27	20047	7/16" Square Bead	Rigid PVC
28		Fin Weatherstrip	
29	1671/3	Frame Weatherstrip	
31	714FPT410XW	Frame-to-Wide Slab Screw: #14 X 1-1/2" Ph. FH, 16.625" O.C.	Stainless Steel
32	7S101X	Frame-to-Nar. Slab Screw: #10 X 1" Ph. FH, 28" O.C.	Stainless Steel
33	7BX1FPT410	Reinforcement Screw: #8 X 1" Ph. FH, 18" O.C.	Stainless Steel
34	710X2FPAX	Frame Assembly Screw: #10 X 2" Ph. FH	Stainless Steel
35	714FPT410XW	W-W Slab Assembly Screw: #14 X 1-1/2" Ph. FH	Stainless Steel
36	71420X2.25	N-W Slab Assembly Screw: #14 X 2-1/4" Ph. FH	Stainless Steel
41	20026	Setting Block, 85 +/- 5 duro.	Vinyl
42		Backbedding: Dow-995 or GE-7700	Silicone
43		Argon Gas	
44	6HL5140	Hot Melt Butyl	
45	1652	Setting Block 9/16" x 4" x 3/16", 85 +/- 5 duro.	Neoprene
46	1614	Setting Block 1/2" x 1" x 1/8", 85 +/- 5 duro.	Neoprene
47 - 73	see Hardware BOM, Table 12, Sheet 12		
90	20033	Inactive Astragal Cap	Acetal
91	20035	Active Astragal Cap	Acetal

ALL RIGID PVC AND RIGID CELLULAR PVC BY ENERGI FENESTRATION SOLUTIONS USA, INC OR VISION EXTRUSIONS, LTD.
ANCHOR O.C. DIMENSIONS SHOWN AS MAXIMUM.

DAYLITE OPENING (DLO) SIZES

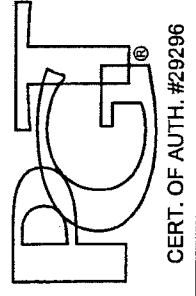
WHEN USING PART # 3: (WIDE RAILS OR STILES)
X DOOR FRAME HEIGHT - 12.1 = DLO HEIGHT
X DOOR FRAME WIDTH - 12.3 = DLO WIDTH
(XX DOOR FRAME HEIGHT) - 12.1 = DLO HEIGHT
(XX DOOR FRAME WIDTH / 2) - 11.5 = DLO WIDTH
SLT/TR FRAME HEIGHT - 12.1 = DLO HEIGHT
SLT/TR FRAME WIDTH - 12.1 = DLO WIDTH
WHEN USING PART # 4: (NARROW RAILS OR STILES)
SLT/TR FRAME HEIGHT - 4.9 = DLO HEIGHT
SLT/TR FRAME WIDTH - 4.9 = DLO WIDTH

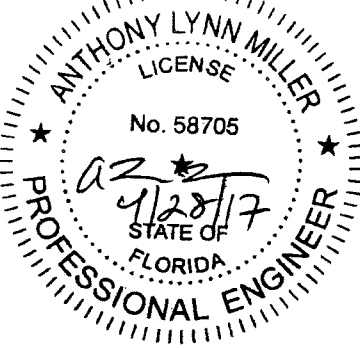


PRODUCT RENEWED
as complying with the Florida Building Code
NOA-No. **18-1108.03**
Expiration Date **01/23/2024**
By *[Signature]*
Miami-Dade Product Control

PRODUCT REVISED
as complying with the Florida Building Code
Acceptance No. **17-0504.05**
Expiration Date **12/23/2019**
By *[Signature]*
Miami-Dade Product Control

Revision C) REVISED # 22 - JR - 04/10/17

1070 TECHNOLOGY DRIVE N. VENICE, FL 34275 (941)-480-1600	COPYRIGHT © 2017 PGT INDUSTRIES, INC. ALL RIGHTS RESERVED	Date	5/7/13	Rev.	C
		By	J ROSOWSKI	No.	MD-555.1
	CERT. OF AUTH. #29296 VINYL FRENCH DOOR AND SLT/TR CORNER DETAILS AND BOM	Scale	NTS	Sheet	11 OF 12
		Series	FD-5555	Title	


ANTHONY LYNN MILLER
 LICENSE No. 58705
 STATE OF FLORIDA
PROFESSIONAL ENGINEER
 A. LYNN MILLER, P.E.
 P.E.# 58705

HARDWARE DETAILS & LOCATIONS

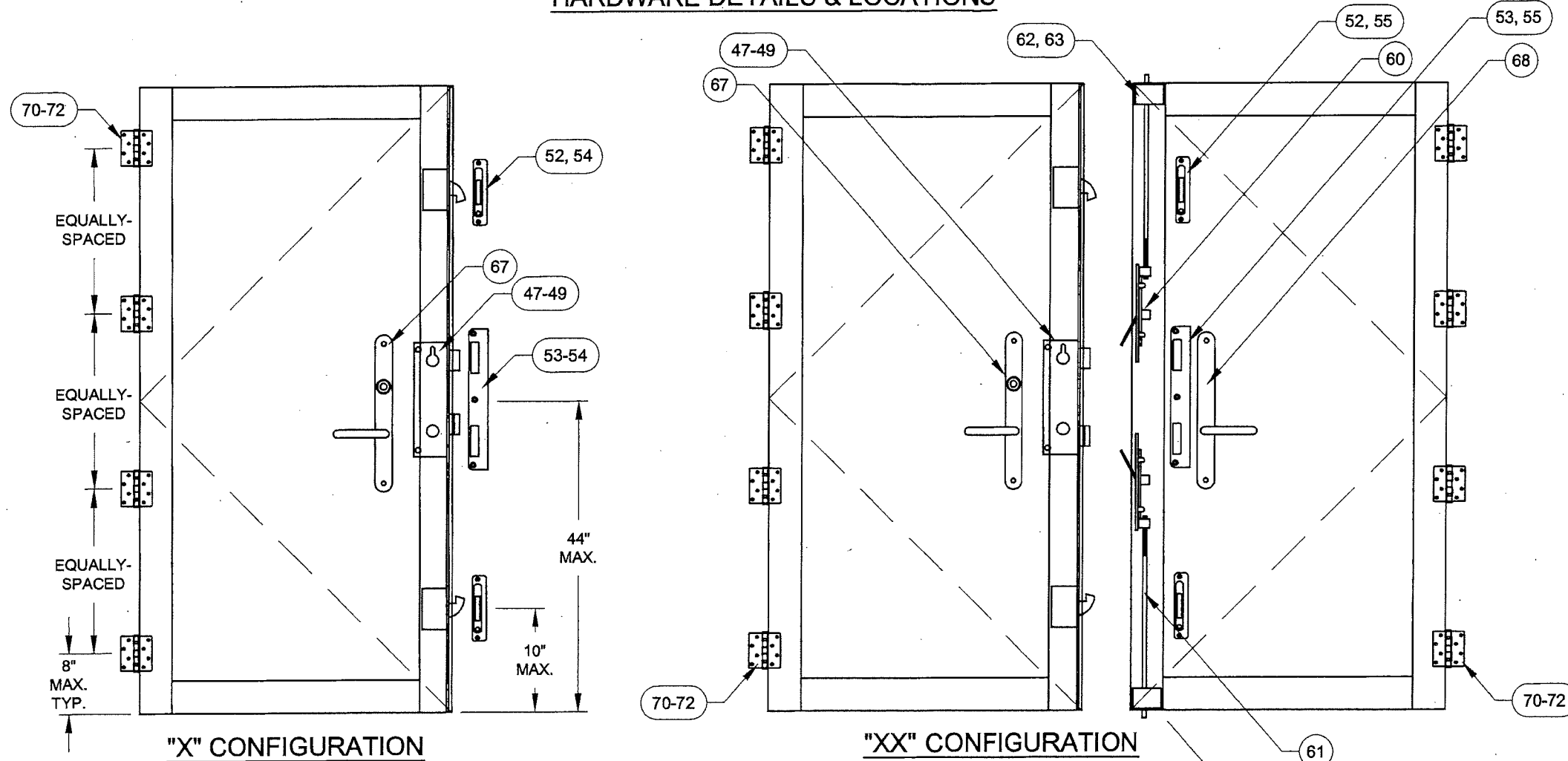
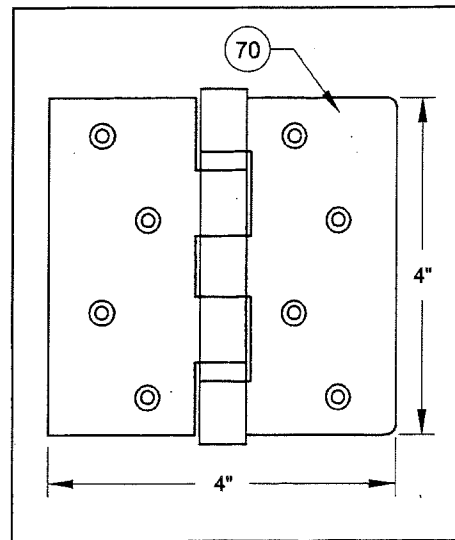


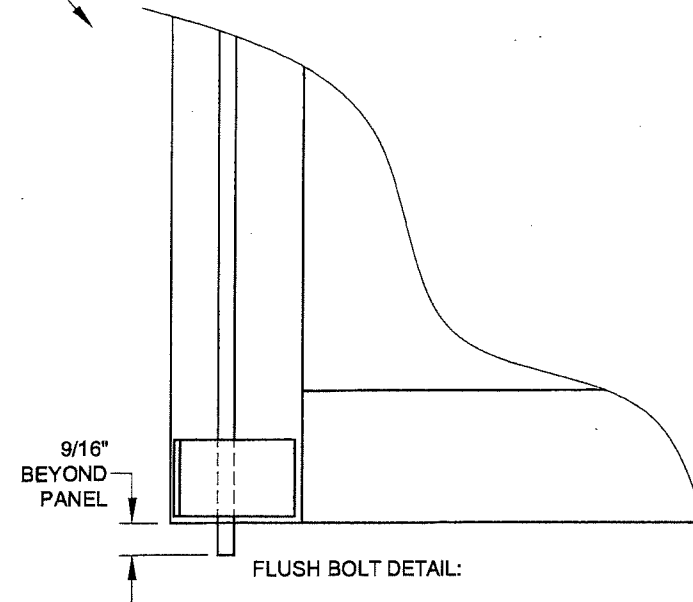
TABLE 12:

#	PGT Part #	Description	Material
47	666032701	P3000 3-PT Rhino Lock (6\"/>	

HINGE DETAIL:



SEE DETAIL, TOP LOCK SIMILAR



PRODUCT RENEWED
 as complying with the Florida Building Code
 NOA-No. **18-1108.03**
 Expiration Date **01/23/2024**
 By *[Signature]*
 Miami-Dade Product Control

PRODUCT REVISED
 as complying with the Florida Building Code
 Acceptance No **17-0504.05**
 Expiration Date **Jan. 23, 2019**
 By *[Signature]*
 Miami Dade Product Control

Revision C) NO CHANGES THIS SHEET
 JR - 04/10/17

1070 TECHNOLOGY DRIVE
 N. VENICE, FL 34275
 (941)-480-1600
 COPYRIGHT © 2017 PGT INDUSTRIES, INC.
 ALL RIGHTS RESERVED

PGT
 CERT. OF AUTH. #29296

VINYL FRENCH DOOR AND SLT/TR
 DESIGN PRESSURE TABLES 3
 FD-5555

Drawn By **J ROSOWSKI**
 Date
 No. 12 OF 12
 Rev. MD-555.1
 Scale NTS
 Series

ANTHONY LYNN MILLER
 LICENSE
 No. 58705
 02/28/17
 STATE OF FLORIDA
 PROFESSIONAL ENGINEER
 A. LYNN MILLER, P.E.
 P.E.# 58705