



DEPARTMENT OF REGULATORY AND ECONOMIC RESOURCES (RER)  
BOARD AND CODE ADMINISTRATION DIVISION

**NOTICE OF ACCEPTANCE (NOA)**

MIAMI-DADE COUNTY, FLORIDA  
PRODUCT CONTROL SECTION

11805 SW 26 Street, Room 208  
T (786) 315-2590 F (786) 315-2599

[www.miamidade.gov/economy](http://www.miamidade.gov/economy)

**PGT Industries, Inc.**  
**1070 Technology Drive**  
**North Venice, Fl. 34275**

**SCOPE:**

This NOA is being issued under the applicable rules and regulations governing the use of construction materials. The documentation submitted has been reviewed and accepted by Miami-Dade County RER-Product Control Section to be used in Miami-Dade County and other areas where allowed by the Authority Having Jurisdiction (AHJ).

This NOA shall not be valid after the expiration date stated below. The Miami-Dade County Product Control Section (In Miami-Dade County) and/ or the AHJ (in areas other than Miami-Dade County) reserve the right to have this product or material tested for quality assurance purposes. If this product or material fails to perform in the accepted manner, the manufacturer will incur the expense of such testing and the AHJ may immediately revoke, modify, or suspend the use of such product or material within their jurisdiction. RER reserves the right to revoke this acceptance, if it is determined by Miami-Dade County Product Control Section that this product or material fails to meet the requirements of the applicable building code. This product is approved as described herein, and has been designed to comply with the Florida Building Code, including the High Velocity Hurricane Zone.

**DESCRIPTION: Series "FD-5455" Outswing PVC French Door w/ & w/o Sidelite and Transom - N.I.**

**APPROVAL DOCUMENT:** Drawing No. MD-455.1, Series titled "Vinyl French Door and SLT/TR", sheets 1 through 12 of 12, dated 05/07/13, with revision C dated 04/10/17, prepared by manufacturer, signed and sealed by Anthony Lynn Miller, P.E., bearing the Miami-Dade County Product Control Revision stamp with the Notice of Acceptance number and expiration date by the Miami-Dade County Product Control Section.

**MISSILE IMPACT RATING: None.**

**LABELING:** Each unit shall bear a permanent label with the manufacturer's name or logo, city, state, series, and following statement: "Miami-Dade County Product Control Approved", unless otherwise noted herein.

**RENEWAL** of this NOA shall be considered after a renewal application has been filed and there has been no change in the applicable building code negatively affecting the performance of this product.

**TERMINATION** of this NOA will occur after the expiration date or if there has been a revision or change in the materials, use, and/ or manufacture of the product or process. Misuse of this NOA as an endorsement of any product, for sales, advertising or any other purposes shall automatically terminate this NOA. Failure to comply with any section of this NOA shall be cause for termination and removal of NOA.

**ADVERTISEMENT:** The NOA number preceded by the words Miami-Dade County, Florida, and followed by the expiration date may be displayed in advertising literature. If any portion of the NOA is displayed, then it shall be done in its entirety.

**INSPECTION:** A copy of this entire NOA shall be provided to the user by the manufacturer or its distributors and shall be available for inspection at the job site at the request of the Building Official.

This NOA **renews NOA No. 17-0504.06** and consists of this page 1 and evidence pages E-1, E-2 and E-3, as well as approval document mentioned above.

The submitted documentation was reviewed by **Sifang Zhao, P.E.**



S.Z.  
12/20/2018

**NOA No. 18-1108.04**  
**Expiration Date: January 23, 2024**  
**Approval Date: December 20, 2018**

NOTICE OF ACCEPTANCE: EVIDENCE SUBMITTED

**A. DRAWINGS**

1. Manufacturer's die drawings and sections.  
*(Submitted under NOA No. 13-0815.04)*
2. Drawing No. **MD-455.1**, titled "Vinyl French Door and SLT/TR", sheets 1 through 12 of 12, dated 05/07/13, with revision **C** dated 04/10/17, prepared by manufacturer, signed and sealed by Anthony Lynn Miller, P.E.

**B. TESTS**

1. Test reports on:
  - 1) Air Infiltration Test, per FBC, TAS 202-94
  - 2) Uniform Static Air Pressure Test, Loading per FBC, TAS 202-94
  - 3) Water Resistance Test, per FBC, TAS 202-94
  - 4) Forced Entry Test, per FBC 2411.3.2.1, and TAS 202-94
  - 5) Large Missile Impact Test per FBC, TAS 201-94
  - 6) Cyclic Wind Pressure Loading per FBC, TAS 203-94along with marked-up drawings and installation diagram of a Series FD-5570/FD-2770 PVC double entrance outswing doors, prepared by Fenestration Testing Laboratory, Inc., Test Report No. **FTL-8717**, dated 11/16/15, signed and sealed by Idalmis Ortega, P.E.  
*(Submitted under previous NOA No. 16-0126.06)*
2. Test reports on:
  - 1) Air Infiltration Test, per FBC, TAS 202-94
  - 2) Uniform Static Air Pressure Test, Loading per FBC TAS 202-94
  - 3) Water Resistance Test, per FBC, TAS 202-94along with marked-up drawings and installation diagram of an outswing PVC French door, prepared by Fenestration Testing Laboratory, Inc., Test Report No. **FTL-7370**, dated 05/23/13, signed and sealed by Jorge A. Naya, Jr., P.E.  
*(Submitted under NOA No. 13-0815.04)*
3. Test reports on:
  - 1) Air Infiltration Test, per FBC, TAS 202-94
  - 2) Uniform Static Air Pressure Test, Loading per FBC TAS 202-94
  - 3) Water Resistance Test, per FBC, TAS 202-94along with marked-up drawings and installation diagram of a PVC fixed window, prepared by Fenestration Testing Laboratory, Inc., Test Report No. **FTL-7338**, dated 05/25/13, signed and sealed by Jorge A. Naya, Jr., P.E.  
*(Submitted under NOA No. 13-0815.04)*

**C. CALCULATIONS**

1. Anchor verification calculations and structural analysis, complying with **FBC 5<sup>th</sup> Edition (2014)**, dated 03/30/15, prepared by manufacturer, signed and sealed by Anthony Lynn Miller, P.E.  
*(Submitted under NOA No. 15-0409.01)*
2. Glazing complies with **ASTM E1300-09**



Sifang Zhao, P.E.  
Product Control Examiner  
NOA No. 18-1108.04  
Expiration Date: January 23, 2024  
Approval Date: December 20, 2018

NOTICE OF ACCEPTANCE: EVIDENCE SUBMITTED

**D. QUALITY ASSURANCE**

1. Miami-Dade Department of Regulatory and Economic Resources (RER).

**E. MATERIAL CERTIFICATIONS**

1. Notice of Acceptance No. **14-0820.11** issued to Vision Extrusions Limited for their “**White Rigid PVC Exterior Extrusions for Windows and Doors**”, dated 11/06/14, expiring on 09/30/19.  
*(Submitted under NOA No. 15-0409.01)*
2. Notice of Acceptance No. **14-0820.12** issued to Vision Extrusions Limited for their “**Brown Coated (Painted or Laminated) White Rigid PVC Exterior Extrusions for Windows and Doors**”, dated 11/06/14, expiring on 09/30/19.  
*(Submitted under NOA No. 15-0409.01)*
3. Notice of Acceptance No. **13-1121.01** issued to Vision Extrusions Limited for their series “**VE 2000 Tan 202 and lighter shades (Non-White) Rigid Cellular PVC Exterior Extrusions for Windows and Doors**” dated 01/23/14, expiring on 01/23/19.  
*(Submitted under NOA No. 15-0409.01)*
4. Notice of Acceptance No. **13-1121.02** issued to **Vision Extrusions Limited** for their series “**White Rigid Cellular PVC Exterior Extrusions for Windows and Doors**” dated 01/23/14, expiring on 01/23/19.  
*(Submitted under NOA No. 15-0409.01)*
5. Notice of Acceptance No. **11-0902.10** issued to Vision Extrusions Limited for their series “**VE 1000 Tan 202 (Non-White) Rigid PVC Exterior Extrusions for Windows and Doors**” dated 12/29/11, expiring on 12/29/16.  
*(Submitted under NOA No. 15-0409.01)*
6. Quanex Part **Super Spacer Standard** complying with ASTM C518 Thermal Conductivity 0.881 BTU-in/ hr.-ft<sup>2</sup>-°F, ASTM F 1249 WVTR-Pass, ASTM D3985 Oxygen-Pass, ASTM E 2190 I.G. Durability-No Fog-Pass.  
*(Submitted under NOA No. 13-0815.04)*
7. Quanex Part **Duraseal** complying with ASTM C518 Thermal Conductivity 2.22 BTU-in/ hr.-ft<sup>2</sup>-°F, ASTM F 1249 WVTR-Pass, ASTM D 1434 Argon Permeance-Pass, ASTM E 2189 I.G. Durability-No Fog, ASTM E 546 Dew Point Development -20°F in 48 hrs.  
*(Submitted under NOA No. 13-0815.04)*
8. Vision Extrusions, Ltd. Parts complying with PVC-AAMA 303-13.  
*(Submitted under NOA No. 13-0815.04)*
9. PVC-AAMA 303-13, Voluntary Specification for Rigid Polyvinyl Chloride (PVC) Exterior Profiles for Vision Extrusions, Ltd.-VEX-1 by AAMA Fenestration Exterior Profile Certification Program.  
*(Submitted under NOA No. 13-0815.04)*



---

Sifang Zhao, P.E.  
Product Control Examiner  
NOA No. 18-1108.04  
Expiration Date: January 23, 2024  
Approval Date: December 20, 2018

NOTICE OF ACCEPTANCE: EVIDENCE SUBMITTED

**E. MATERIAL CERTIFICATIONS (CONTINUED)**

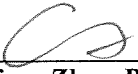
10. Vision Extrusions, Ltd. Parts complying with PVC-AAMA 303-13.  
*(Submitted under NOA No. 13-0815.04)*
11. PVC-AAMA 303-13, Voluntary Specification for Rigid Polyvinyl Chloride (PVC) Exterior Profiles for Vision Extrusions, Ltd.-VEX-1 by AAMA Fenestration Exterior Profile Certification Program.  
*(Submitted under NOA No. 13-0815.04)*

**F. STATEMENTS**

1. Statement letter of conformance to and of complying with **FBC 5<sup>th</sup> Edition (2014)** and **FBC 6<sup>h</sup> Edition (2017)** dated 08/16/17, issued by manufacturer, signed and sealed by A. Lynn Miller, P.E.
2. Statement letter of no financial interest and of independence, issued by manufacturer, dated 04/28/17, signed and sealed by Anthony Lynn Miller, P.E.
3. Laboratory compliance letter for Test Reports No. **FTL-7370** and **FTL-7338**, issued by Fenestration Testing Laboratory, Inc., dated 05/23/13, signed and sealed by Jorge A. Naya, Jr., P.E.  
*(Submitted under NOA No. 13-0815.04)*

**G. OTHERS**

1. Notice of Acceptance No. **17-0504.06**, issued to PGT Industries, Inc. for their Series "FD-5455" Outswing PVC French Door w/ & w/o Sidelite and Transom - N.I., approved on 12/14/17 and expiring on 01/23/19.

  
Sifang Zhao, P.E.

Product Control Examiner

NOA No. 18-1108.04

Expiration Date: January 23, 2024

Approval Date: December 20, 2018

**SERIES FD-5455,  
NON-IMPACT-RESISTANT, VINYL, REINFORCED, OUTSWING  
FRENCH DOOR & SIDELITE/TRANSOM (SLT/TR)**

DESIGN PRESSURE RATING	IMPACT RATING
VARIABLES, SEE SHEETS 4 & 5	NOT RATED FOR MISSILE IMPACT RESISTANCE

1) THIS PRODUCT HAS BEEN DESIGNED & TESTED TO COMPLY WITH THE REQUIREMENTS OF THE FLORIDA BUILDING CODE, INCLUDING THE HIGH VELOCITY HURRICANE ZONE (HVHZ).

2) SHUTTERS ARE REQUIRED WHEN USED IN WIND-BORNE DEBRIS REGIONS.

3) FOR MASONRY APPLICATIONS IN MIAMI-DADE COUNTY, USE ONLY MIAMI-DADE COUNTY APPROVED MASONRY ANCHORS. MATERIALS USED FOR ANCHOR EVALUATIONS WERE SOUTHERN PINE, ASTM C90 CONCRETE MASONRY UNITS (CMU'S) OF NORMAL WEIGHT AND OF COMPRESSIVE STRENGTH OF MIN. 1.9 KSI AND CONCRETE WITH MIN. KSI PER ANCHOR TYPE.

4) MASONRY ANCHORS MAY BE USED INTO WOOD AS PER TABLE 1, THIS SHEET. ALL WOOD BUCKS LESS THAN 1-1/2" THICK ARE TO BE CONSIDERED 1X INSTALLATIONS. 1X WOOD BUCKS ARE OPTIONAL IF UNIT IS INSTALLED DIRECTLY TO SUBSTRATE. WOOD BUCKS DEPICTED AS 2X ARE 1-1/2" THICK OR GREATER. 1X AND 2X BUCKS (WHEN USED) SHALL BE DESIGNED TO PROPERLY TRANSFER LOADS TO THE STRUCTURE. WOOD BUCK DESIGN AND INSTALLATION IS THE RESPONSIBILITY OF THE ENGINEER OR ARCHITECT OF RECORD.

5) IF SILL IS TIGHT TO SUBSTRATE, GROUT IS NOT REQUIRED. IF USED, NON-SHRINK, NON-METALLIC GROUT AT 3.4 KSI MIN. PER ASTM C1107, (DONE BY OTHERS). MAX. 1/4" SHIM SPACE FOR GROUT WHICH MUST FULLY SUPPORT THE ENTIRE LENGTH OF THE SILL THAT IS NOT TIGHT TO THE SUBSTRATE, AND TRANSFER SHEAR LOAD TO SUBSTRATE. IF SUBSTRATE IS WOOD, 30# FELT PAPER OR MASTIC IS REQUIRED BETWEEN THE GROUT AND WOOD SUBSTRATE, OR AS APPROVED BY THE AUTHORITY HAVING JURISDICTION, COMPLYING WITH THE FBC.

6) ANCHOR EMBEDMENT TO BASE MATERIAL SHALL BE BEYOND WALL DRESSING OR STUCCO. USE ANCHORS OF SUFFICIENT LENGTH TO ACHIEVE THE EMBEDMENT SHOWN ON TABLE 1, THIS SHEET. NARROW JOINT SEALANT IS USED ON ALL FOUR CORNERS OF THE FRAME. EXTERIOR INSTALLATION ANCHORS SHOULD BE SEALED. OVERALL SEALING/FLASHING STRATEGY FOR WATER RESISTANCE OF INSTALLATION SHALL BE DONE BY OTHERS AND IS BEYOND THE SCOPE OF THESE INSTRUCTIONS.

7) MAX. 1/4" SHIMS ARE REQUIRED AT EACH ANCHOR LOCATION WHERE THE PRODUCT IS NOT FLUSH TO THE SUBSTRATE. USE SHIMS CAPABLE OF TRANSFERRING APPLIED LOADS. WOOD BUCKS, BY OTHERS, MUST BE SUFFICIENTLY ANCHORED TO RESIST LOADS IMPOSED ON THEM BY THE DOOR, SIDELITE OR TRANSOM.

8) DESIGN PRESSURES:  
A. NEGATIVE DESIGN LOADS BASED ON STRUCTURAL TEST PRESSURE, FRAME ANALYSIS AND GLASS PER ASTM E1300.  
B. POSITIVE DESIGN LOADS BASED ON WATER TEST PRESSURE, STRUCTURAL TEST PRESSURE, FRAME ANALYSIS AND GLASS PER ASTM E1300.  
C. DESIGN LOADS ARE BASED ON ALLOWABLE STRESS DESIGN, ASD.

9) THE ANCHORAGE METHODS SHOWN HAVE BEEN DESIGNED TO RESIST THE WINDLOADS CORRESPONDING TO THE REQUIRED DESIGN PRESSURE. THE 33-1/3% STRESS INCREASE HAS NOT BEEN USED IN THE DESIGN OF THIS PRODUCT. THE 1.6 LOAD DURATION FACTOR WAS USED FOR THE EVALUATION OF ANCHORS INTO WOOD. ANCHORS THAT COME INTO CONTACT WITH OTHER DISSIMILAR MATERIALS SHALL MEET THE REQUIREMENTS OF THE FLORIDA BUILDING CODE (INCLUDING ADOPTED STANDARDS) FOR CORROSION RESISTANCE.

10) ALL RIGID PVC AND RIGID CELLULAR PVC MANUFACTURED BY ENERGI FENESTRATION SOLUTIONS USA, INC. OR VISION EXTRUSIONS, LTD. HAS BEEN TESTED TO COMPLY WITH THE FLORIDA BUILDING CODE FOR PLASTICS.

11) SIZES MUST BE VERIFIED FOR COMPLIANCE WITH EGRESS REQUIREMENTS PER THE FLORIDA BUILDING CODE.

12) REFERENCES:  
TEST REPORTS: FTL-7339 & 7371  
NOA'S: ELCO ULTRACON, CRETEFLEX & AGGREGATOR ANCHOR NOA'S, ENERGI FENESTRATION SOLUTIONS USA, INC. OR VISION EXTRUSION, LTD. WHITE RIGID PVC NOA, VE 1000 TAN 202 AND LIGHTER SHADES (NON-WHITE) RIGID PVC NOA AND BROWN COATED (PAINTED OR LAMINATED) WHITE RIGID PVC NOA

13) THE 5455 SERIES IS ALSO KNOWN AS THE 455 SERIES.

TABLE 1:

Group	Anchor	Substrate	Min. Edge Distance	Min. Embedment
A	3/16" Elco Ultracon	UngROUTED CMU, (ASTM C-90)	1"	1-1/4"
		UngROUTED CMU, (ASTM C-90)	2-1/2"	1-1/4"
B	#10 Steel SMS (G5) #10 410 S.S. SMS #10 18-8 S.S. SMS	P.T. Southern Pine (SG=0.55)	1/2"	1-3/8"
		Aluminum, 6063-T5*	5/16"	0.063"
		Steel, A36*	5/16"	0.063"
		Steel Stud, A653 Gr. 33*	5/16"	0.063"
	3/16" Elco Ultracon	P.T. Southern Pine (SG=0.55)	1/2"	1-3/8"
		GROUTED CMU, (ASTM C-90)	2-1/2"	2-1/4"
		Concrete (min. 2.85 ksi)	1"	1-3/8"
	1/4" Elco Ultracon	UngROUTED CMU, (ASTM C-90)	2-1/2"	1-1/4"
C	#12 Steel SMS (G5) #12 410 S.S. SMS #12 18-8 S.S. SMS	P.T. Southern Pine (SG=0.55)	9/16"	1-3/8"
		Aluminum, 6063-T5*	3/8"	0.071"
		Steel, A36*	3/8"	0.071"
		Steel Stud, A653 Gr. 33*	3/8"	0.071" (14 Ga)
	1/4" Elco Ultracon	P.T. Southern Pine (SG=0.55)	1"	1-3/8"
		GROUTED CMU, (ASTM C-90)	2-1/2"	1-3/4"
		Concrete (min. 2.85 ksi)	1"	1-3/8"
	1/4" Elco 410 S.S. CreteFlex	Concrete (min. 3.35 ksi)	1"	1-3/4"
		UngROUTED CMU, (ASTM C-90)	2-1/2"	1-1/4"
		P.T. Southern Pine (SG=0.55)	1"	1-3/8"
	1/4" Elco 18-8 S.S. Aggre-Gator	Concrete (min. 3.27 ksi)	1-1/2"	1-3/8"
		UngROUTED CMU, (ASTM C-90)	4"	1-1/4"
Concrete (min. 2.85 ksi)		2-1/2"	1-3/8"	
D	1/4" Elco Ultracon	Concrete (min. 2.85 ksi)	2-1/2"	1-3/8"
	1/4" Elco 410 S.S. CreteFlex	Concrete (min. 3.35 ksi)	2-1/2"	1-3/4"

\* MIN. OF 3 THREADS BEYOND THE METAL SUBSTRATE.

TABLE 2:

Type #	Description
1	1/8" Tempered - 5/8" Airspace - 1/8" Tempered
2	3/16" Tempered - 1/2" Airspace - 3/16" Tempered

SEE SHEET 3 FOR SPACER INFORMATION.


Material	Min. F <sub>y</sub>	Min. F <sub>u</sub>
Steel Screw	92 ksi	120 ksi
18-8 Screw	60 ksi	95 ksi
410 Screw	90 ksi	110 ksi
Elco Aggre-Gator®	57 ksi	96 ksi
Elco UltraCon®	155 ksi	177 ksi
410 SS Elco CreteFlex®	127.4 ksi	189.7 ksi
6063-T5 Aluminum	16 ksi	22 ksi
A36 Steel	36 ksi	58 ksi
Gr. 33 Steel Stud	33 ksi	45 ksi


GUIDE TO SHEETS:

GENERAL NOTES.....	1
ELEVATIONS.....	2
GLAZING DETAILS.....	3
DESIGN PRESSURES.....	4-5
ANCHORS.....	4-6
INSTALLATION.....	7-9
EXTRUSION PROFILES.....	10
PARTS LIST.....	11-12
CORNER DETAILS.....	11
HARDWARE DETAILS.....	12

CODES / STANDARDS USED:

- 2017 FLORIDA BUILDING CODE (FBC), 6TH EDITION
- 2014 FLORIDA BUILDING CODE (FBC), 5TH EDITION
- ASTM E1300-09
- ANSI/AF&PA NDS-2015 FOR WOOD CONSTRUCTION
- ALUMINUM DESIGN MANUAL, ADM-2015
- AISI S100-12
- AISC 360-10

**PRODUCT RENEWED**  
as complying with the Florida Building Code  
NOA-No. **18-1108.04**  
Expiration Date **01/23/2024**  
By   
Miami-Dade Product Control

PRODUCT REVISED  
as complying with the Florida Building Code  
Acceptance No. **17-0504.06**  
Expiration Date **01-23-2019**  
By   
Miami-Dade Product Control

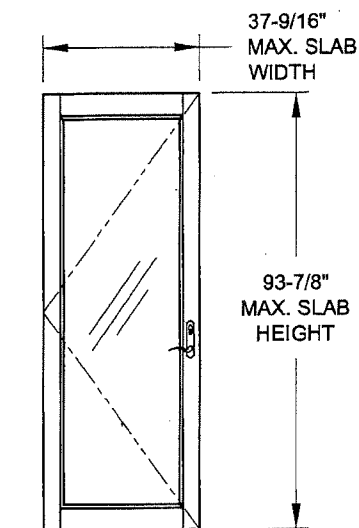
Revision C) UPDATED TO FBC 2017,  
ADDED SPACER DWGS.,  
REVISED #22 - JR - 04/10/17

1070 TECHNOLOGY DRIVE N. VENICE, FL 34275 (941)-480-1600 COPYRIGHT © 2017 PGT INDUSTRIES, INC. ALL RIGHTS RESERVED	Date	5/7/13	Rev.	C
	Drawn By	J ROSOWSKI	No.	MD-455.1
	DWG	1 OF 12	Scale	NTS
	Series	FD-5455	Sheet	1 OF 12

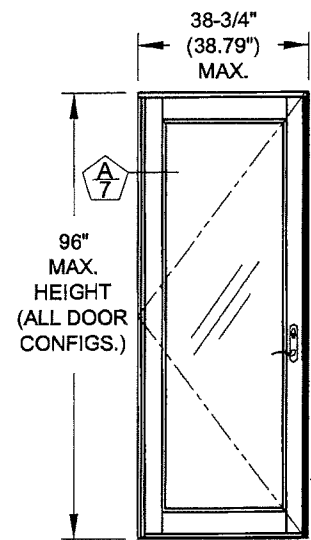
CERT. OF AUTH. #29296  
VINYL FRENCH DOOR AND SLT/TR  
GENERAL NOTES

ANTHONY LYNN MILLER  
LICENSE  
No. 58705  
4/28/17  
STATE OF FLORIDA  
PROFESSIONAL ENGINEER  
A. LYNN MILLER, P.E.  
P.E.# 58705

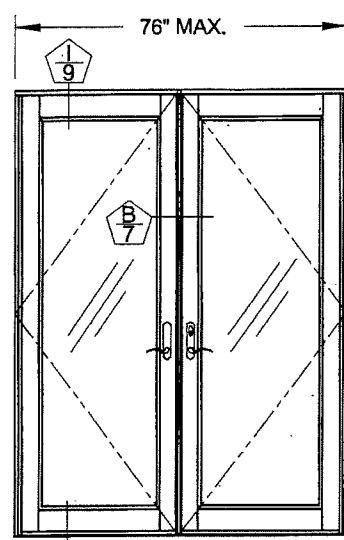
**EXAMPLE CONFIGURATIONS**



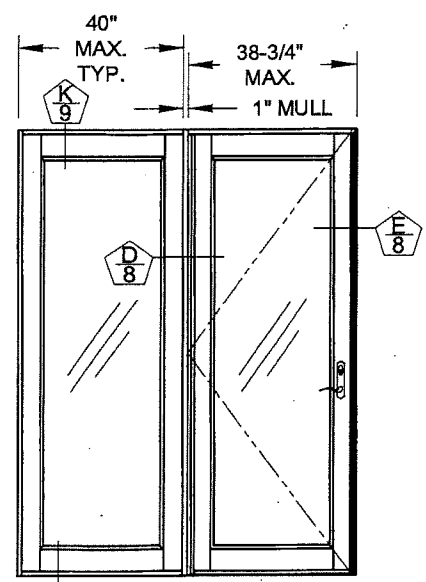
TYP. DOOR SLAB



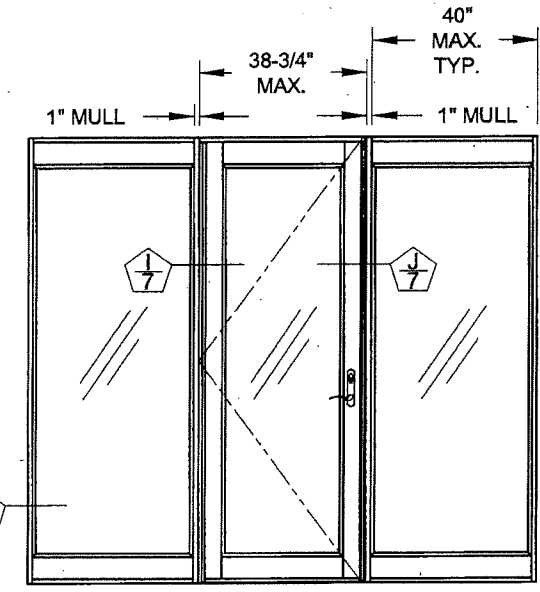
X



XX

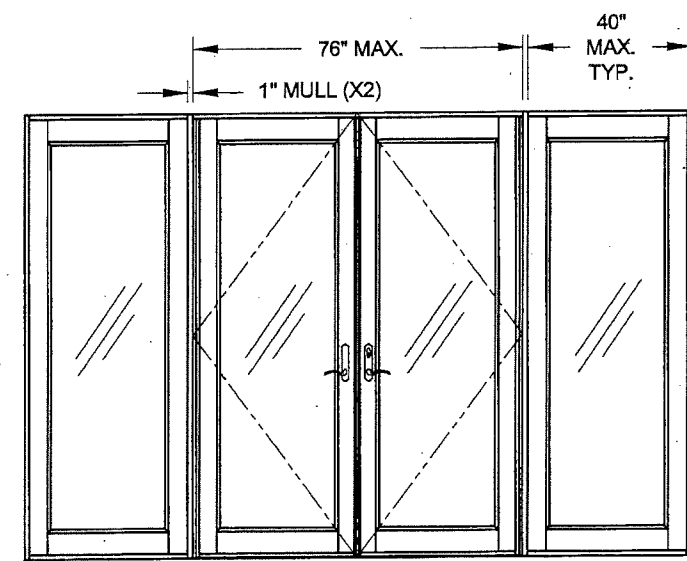


OIX (SHOWN) OR XIO  
(WIDE STILES AND WIDE RAILS SHOWN ON SIDELITES)

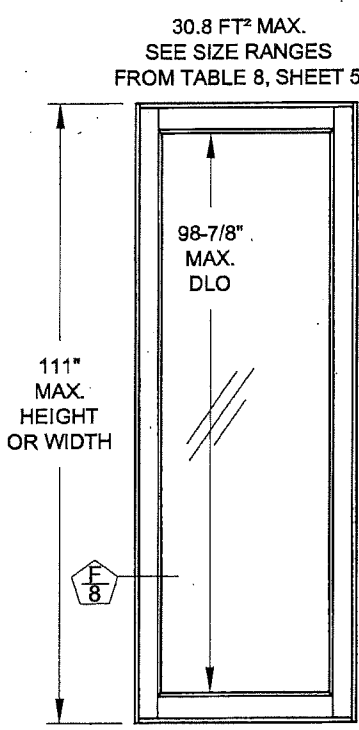


OIXIO  
(NARROW STILES AND WIDE RAILS SHOWN ON SIDELITES)

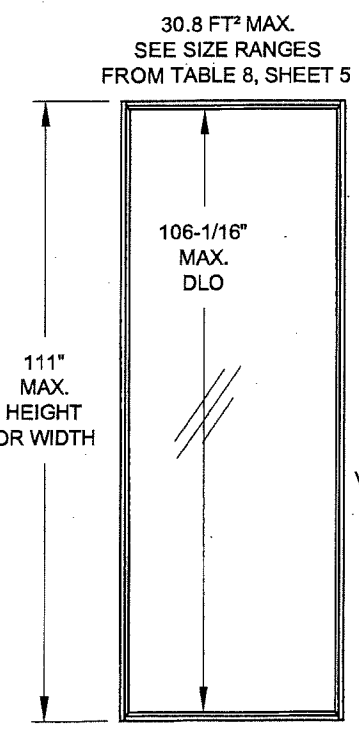
DETAIL SHEET #



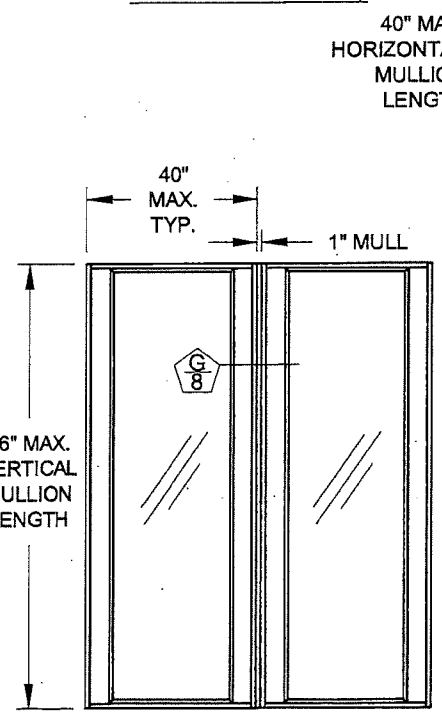
OIXXIO  
(WIDE STILES AND WIDE RAILS SHOWN ON SIDELITES)



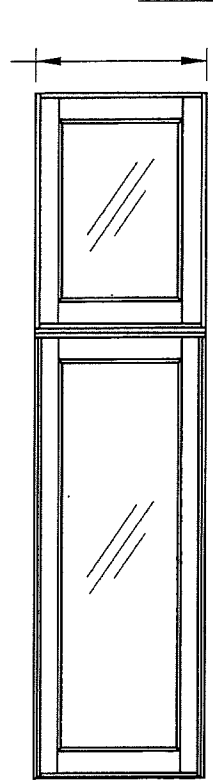
SINGLE O  
(WIDE STILES AND WIDE RAILS SHOWN ON SIDELITES)



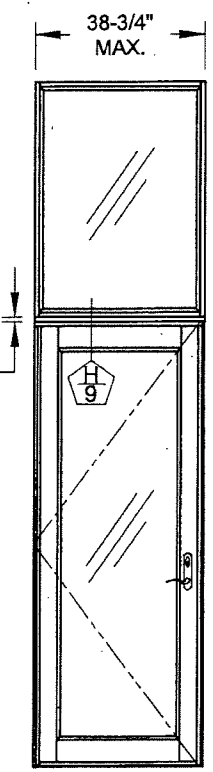
SINGLE O  
(NARROW STILES AND NARROW RAILS SHOWN ON SIDELITES)



OIO (MAXIMUM OF 2 MULLED SIDELITES)  
(WIDE STILES AND NARROW RAILS SHOWN ON SIDELITES)



O/O WITH HORIZONTAL MULLION  
(WIDE STILES AND WIDE RAILS SHOWN ON SIDELITE & TRANSOM)



O/X WITH HORIZONTAL MULLION  
(NARROW STILES AND NARROW RAILS SHOWN ON TRANSOM)

- NOTES:**
- 1) SINGLE DOORS MAY BE LEFT OR RIGHT-HANDED.
  - 2) MULLIONS SHOWN ARE STANDARD 1" FRENCH DOOR MULLIONS PER THIS NOA.
  - 3) MULLED CONFIGURATIONS NOT SHOWN MAY BE POSSIBLE USING OTHER MULLION TYPES, SEE SEPARATE NOA.
  - 4) FRENCH DOOR MULLION IS LIMITED TO 96" IN VERTICAL APPLICATIONS AND 40" IN HORIZONTAL APPLICATIONS.
  - 5) NARROW OR WIDE STILES AND RAILS MAY BE MIXED WITHIN THE SAME SLT/TR OR MULLED ASSEMBLY.
  - 6) ADDITIONAL CONFIGURATIONS USING THE 1" FRENCH DOOR MULLION ARE POSSIBLE. USE THE ABOVE DRAWINGS AS A REFERENCE FOR SIZE LIMITATIONS.

**PRODUCT RENEWED**  
as complying with the Florida Building Code  
NOA-No. 18-1108.04  
Expiration Date 01/23/2024  
By Miami-Dade Product Control

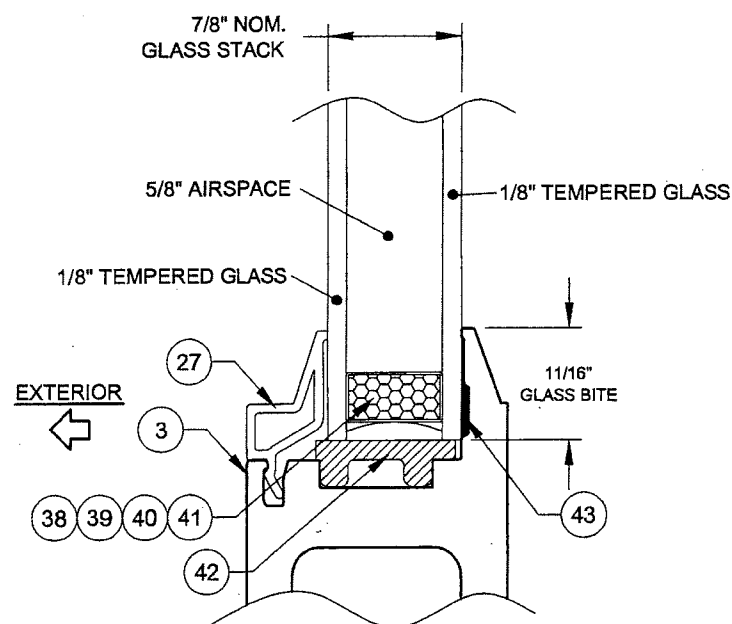
PRODUCT REVISED  
as complying with the Florida Building Code  
Acceptance No. 17-0504-06  
Expiration Date 12-21-2019  
By Manuel Perez  
Miami Dade Product Control

Revision C) NO CHANGES THIS SHEET  
JR - 04/10/17

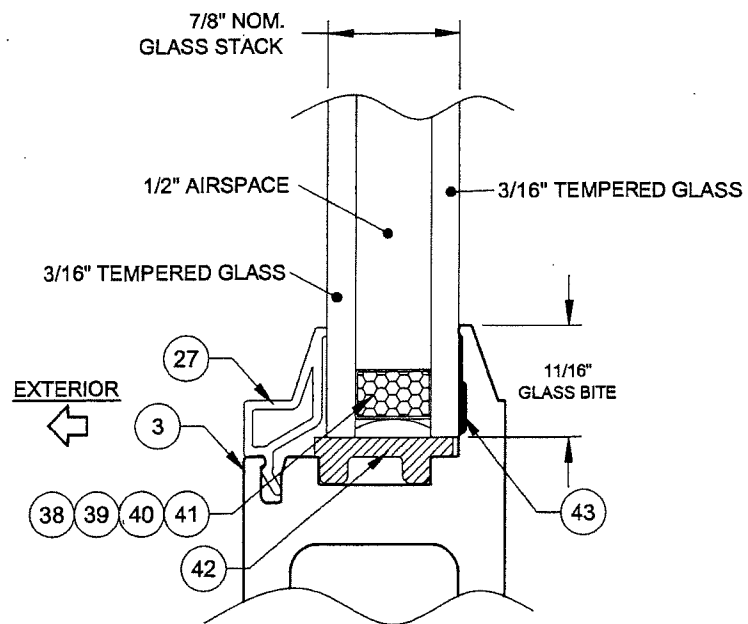
1070 TECHNOLOGY DRIVE N. VENICE, FL 34275 (941)-480-1600	COPYRIGHT © 2017 PGT INDUSTRIES, INC. ALL RIGHTS RESERVED	Date	5/7/13	J ROSOWSKI	C
		Rev.			
PGI® CERT. OF AUTH. #29296	VINYL FRENCH DOOR AND SLT/TR	Drawn By		MD-455.1	Rev.
		DWG No.			
		Sheet	2 OF 12		
EXAMPLE CONFIGURATIONS		Scale	NTS		
		Series Desc.	FD-5455		

ANTHONY LYNN MILLER  
LICENSE No. 58705  
4/28/17  
STATE OF FLORIDA  
PROFESSIONAL ENGINEER  
A. LYNN MILLER, P.E.  
P.E.# 58705

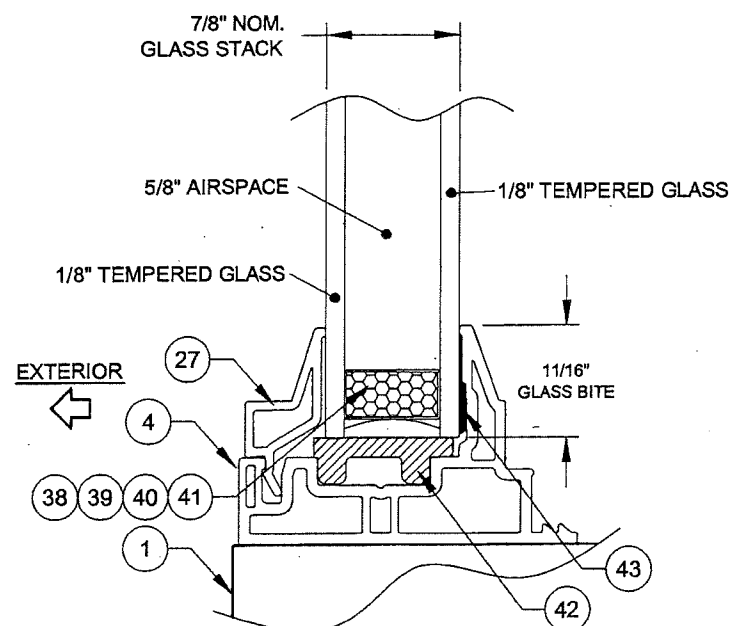
**DOOR, SIDELITE & TRANSOM  
GLAZING DETAILS**



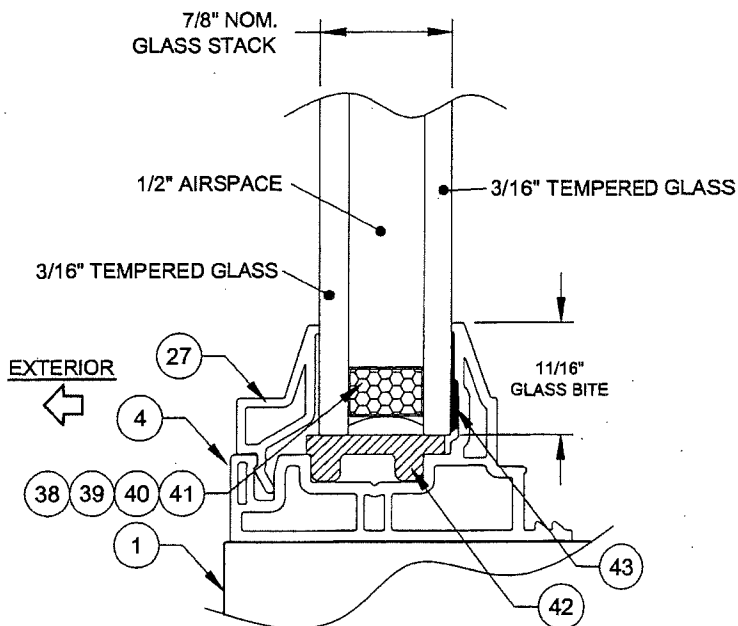
**GLASS TYPE 1**



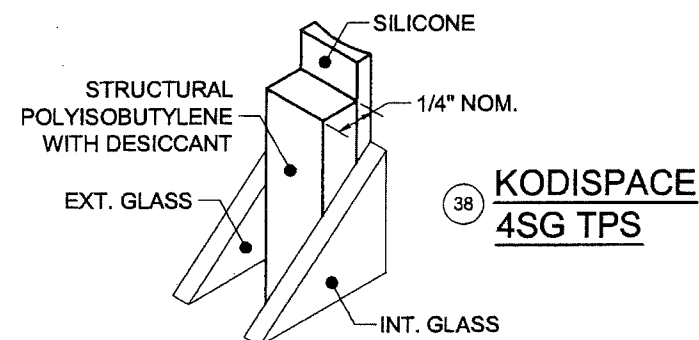
**GLASS TYPE 2**



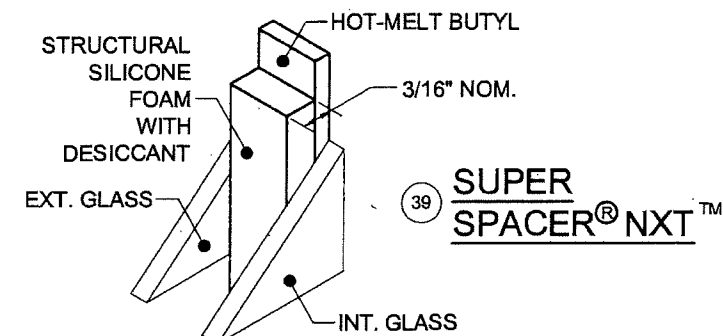
**GLASS TYPE 1  
SHOWN IN SIDELITE ADAPTER**



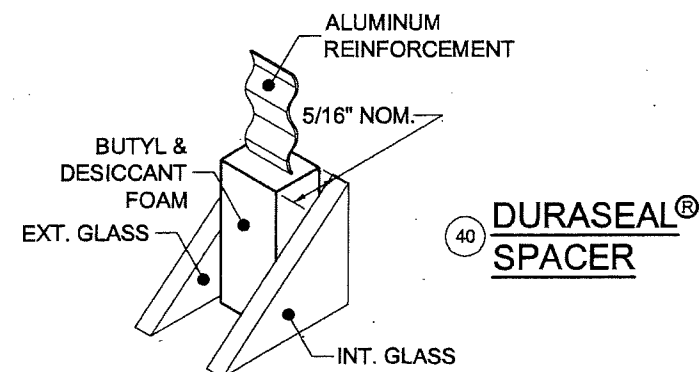
**GLASS TYPE 2  
SHOWN IN SIDELITE ADAPTER**



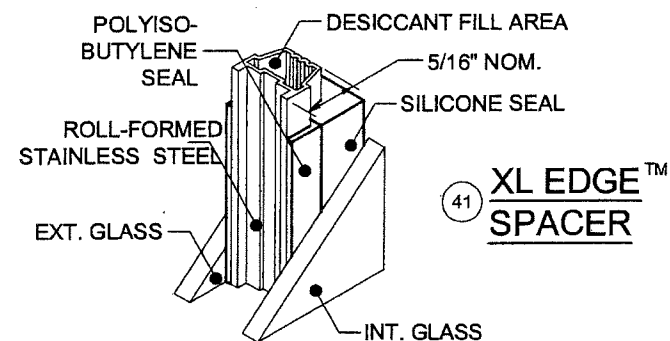
**38 KODISPACE  
4SG TPS**



**39 SUPER  
SPACER® NXT™**



**40 DURASEAL®  
SPACER**



**41 XL EDGE™  
SPACER**

Part #	Description	Material
38	Kommering 4SG TPS Spacer System	See this Sheet for Materials
39	Quanex Super Spacer nXT with Hot Melt Butyl	
40	Quanex Duraseal Spacer	
41	Cardinal XL Edge Spacer	

REFERENCE TEST REPORTS: FTL-8717, 8968 & 8970

**PRODUCT RENEWED**  
as complying with the Florida  
Building Code  
NOA-No. **18-1108.04**

Expiration Date **01/23/2024**

By *[Signature]*  
Miami-Dade Product Control

PRODUCT REVISED  
as complying with the Florida  
Building Code  
Acceptance No. **17-0504.06**  
Expiration Date **Jan 23, 2019**  
By *[Signature]*  
Miami-Dade Product Control

Revision  
C) ADDED SPACER DRAWINGS -  
JR - 04/10/17

1070 TECHNOLOGY DRIVE  
N. VENICE, FL 34275  
(941)-480-1600  
COPYRIGHT © 2017 PGT INDUSTRIES, INC.  
ALL RIGHTS RESERVED

**PGT**  
CERT. OF AUTH. #29296  
VINYL FRENCH DOOR AND SLT/TR  
GLAZING DETAILS

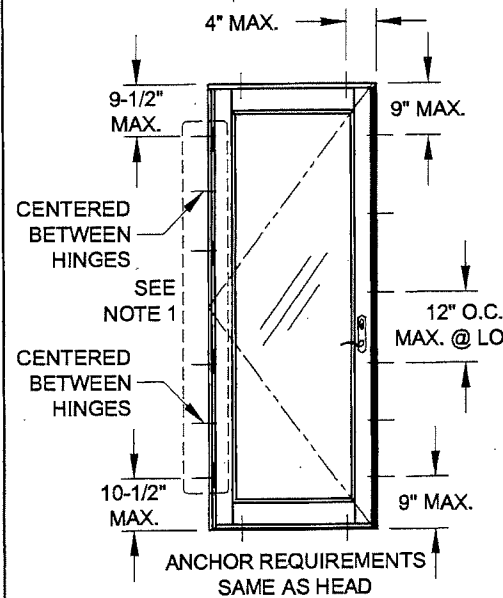
ANTHONY LYNN MILLER  
LICENSE  
No. 58705  
4/28/17  
STATE OF  
FLORIDA  
PROFESSIONAL ENGINEER

A. LYNN MILLER, P.E.  
P.E.# 58705

Date	5/7/13	Rev.	C
Drawn By	J ROSOWSKI	DWG No.	MD-455.1
Sheet	3 OF 12	Scale	NTS
Series	FD-5455	Desc.	GLAZING DETAILS

**SINGLE DOOR INSTALLATION**

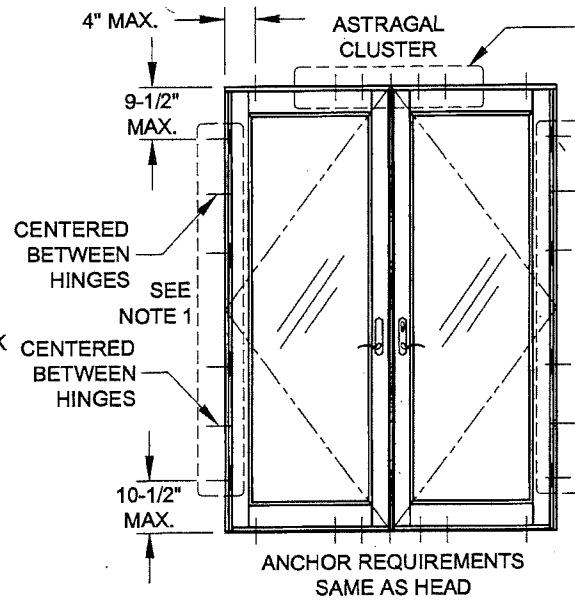
(X)



X

**DOUBLE DOOR INSTALLATION**

(XX)

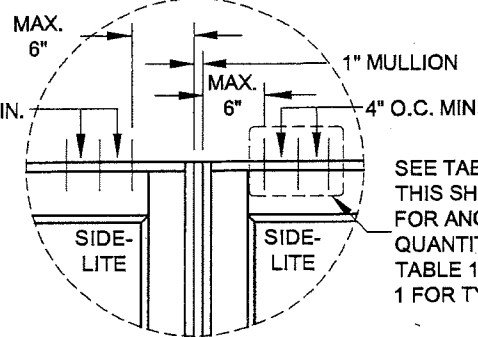
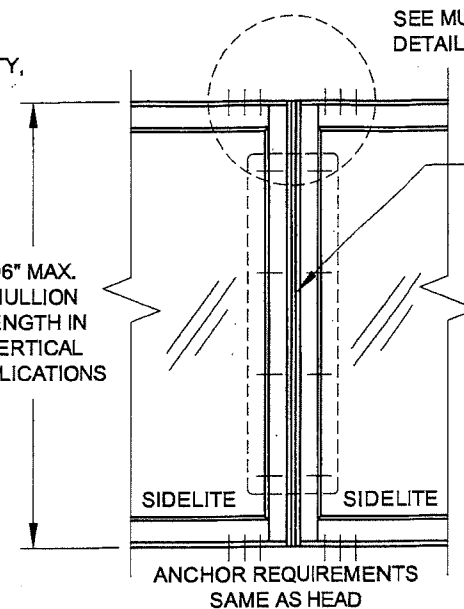


XX, (USING ASTRAGAL)

**SIDELITE-TO-SIDELITE MULLION INSTALLATION**

(O|O)

4" O.C. MIN., SEE TABLE 4, THIS SHEET, FOR QUANTITY, SEE TABLE 1, SHEET 1 FOR TYPE



**SIDELITE-TO-DOOR MULLION INSTALLATION (X|O, O|X, X|X, O|X|O, X|O|X, O|XX|O, ETC)**

SEE MULLION CLUSTER DETAIL BELOW

ATTACH DOORS AND SIDELITES TO THE MULLION AS PER THE INSTRUCTION OF THE INDIVIDUAL DOOR OR SIDELITE

TABLE 5:  
**VERTICAL MULLION DESIGN PRESSURE**

<b>+/-70.0 PSF</b>
--------------------

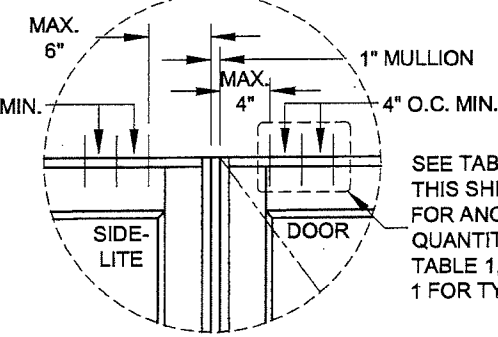
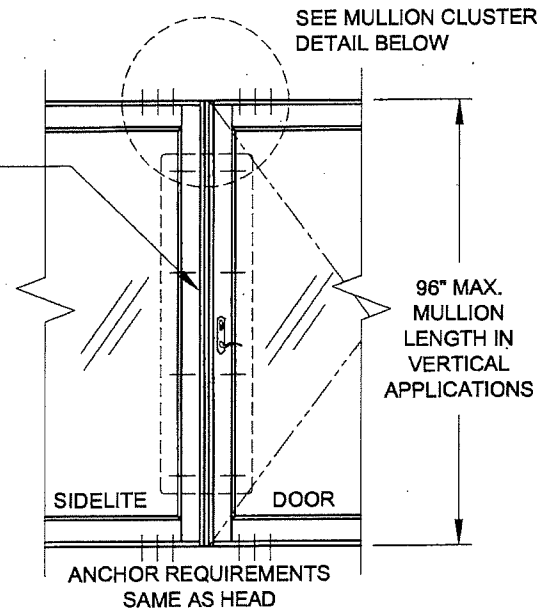


TABLE 3:  
**DOOR DESIGN PRESSURE**

+/-50.0 PSF	Glass Type 1
+/-70.0 PSF	Glass Type 2

TABLE 4:  
**XX Door: Astragal Cluster Anchors Required @ Head & Sill**

Door Height (in)	Door Width (in)							
	48	60	72	76	48	60	72	76
80	4	4	4	5	4	5	4	4
96	4	5	4	6	4	6	5	4

TABLE 6:  
**Anchors Required for a Vertical Mullion (each mullion end)**

Mullion Height (in)	Door or Sidelite/Transom Width (in)												
	12	24	32	38-3/4	40	12	24	32	38-3/4	40	12	24	
Door	N/A	2	1	2	2	1	3	2	1	N/A	N/A	N/A	N/A
SLT/TR	1	2	1	2	2	1	3	2	1	3	2	1	1
Door	N/A	2	1	3	2	1	3	3	2	N/A	N/A	N/A	N/A
SLT/TR	1	2	1	3	2	1	3	3	2	3	3	2	2

FOR "O|XX|O" AND SIMILAR CONFIGURATIONS CONTAINING A DOUBLE DOOR (XX), USE ONLY HALF OF THE FRAME WIDTH OF THE DOUBLE DOOR WHEN USING THIS TABLE.

**TRANSOM-TO-DOOR (X|O) OR TRANSOM-TO-SIDELITE (O|O) MULLION ATTACHMENT & INSTALLATION**

ATTACH DOORS, SIDELITES & TRANSOMS TO THE MULLION AS PER THE INSTRUCTION OF THE INDIVIDUAL PRODUCT

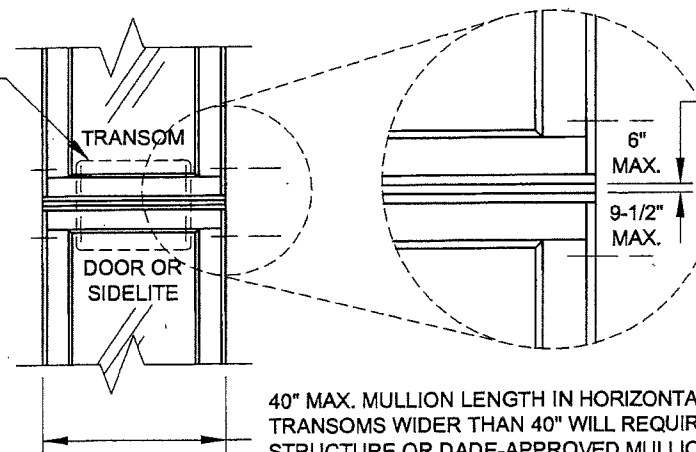


TABLE 7:  
**HORIZONTAL MULLION DESIGN PRESSURE**

<b>+/-70.0 PSF</b>
--------------------

40" MAX. MULLION LENGTH IN HORIZONTAL APPLICATIONS. TRANSOMS WIDER THAN 40" WILL REQUIRE ADDITIONAL STRUCTURE OR DADE-APPROVED MULLION BETWEEN TRANSOM AND DOOR/SIDELITE.

**INSTRUCTIONS:**

- 1) DOOR HINGE JAMBS OF ALL HEIGHTS TO ALWAYS BE ANCHORED WITH SIX ANCHORS. SEE TABLE 1, SHEET 1, FOR ALL APPROVED ANCHORS. FOUR OF THE SIX ANCHORS MUST BE INSTALLED THROUGH THE HINGES, ONE AT EACH HINGE LOCATION (RECOMMENDED #10 FLATHEAD SMS OR 3/16" FLATHEAD ULTRACON FOR EACH HINGE ANCHOR).
- 2) FOR A MULLED UNIT, DETERMINE THE DESIGN PRESSURE OF EACH COMPONENT IN THAT CONFIGURATION. FOR EXAMPLE, ON AN "X|O" CONFIGURATION, THE DP FOR THE DOOR, THE MULLION AND THE SIDELITE MUST EACH BE DETERMINED. THE LOWEST DP APPLIES TO THE ENTIRE ASSEMBLY.

**NOTES:**

- 1) SINGLE DOOR MAY BE LEFT OR RIGHT-HANDED.
- 2) MULLIONS SHOWN ARE STANDARD 1" FRENCH DOOR MULLIONS.
- 3) MULLED CONFIGURATIONS NOT SHOWN MAY BE POSSIBLE USING OTHER MULLION TYPES, SEE SEPARATE NOA. THE LOWEST COMPONENT DP IS TO BE THE OVERALL ASSEMBLY DP.
- 4) FRENCH DOOR MULLION IS LIMITED TO 96" IN VERTICAL APPLICATIONS AND 40" IN HORIZONTAL APPLICATIONS.
- 5) NARROW OR WIDE STILES AND RAILS MAY BE MIXED WITHIN THE SAME SIDELITE/TRANSOM OR MULLED ASSEMBLY.
- 6) FOR SIZES NOT SHOWN, ROUND UP TO THE NEXT AVAILABLE SHORT OR LONG DIMENSION.

**PRODUCT RENEWED**  
as complying with the Florida Building Code  
NOA-No. 18-1108.04  
Expiration Date 01/23/2024  
By *[Signature]*  
Miami-Dade Product Control

PRODUCT REVISED  
as complying with the Florida Building Code  
Acceptance No. 17-0504.06  
Expiration Date Jan-23, 2019  
By *[Signature]*  
Miami-Dade Product Control

Revision C) NO CHANGES THIS SHEET  
JR - 04/10/17

1070 TECHNOLOGY DRIVE  
N. VENICE, FL 34275  
(941)-480-1600

COPYRIGHT © 2017 PGT INDUSTRIES, INC.  
ALL RIGHTS RESERVED

PGT  
CERT. OF AUTH. #29296

VINYL FRENCH DOOR AND SLT/TR  
DESIGN PRESSURE 1

5/7/13  
J ROSOWSKI  
MD-455.1  
C

4 OF 12  
FD-5455  
NTS  
Scale

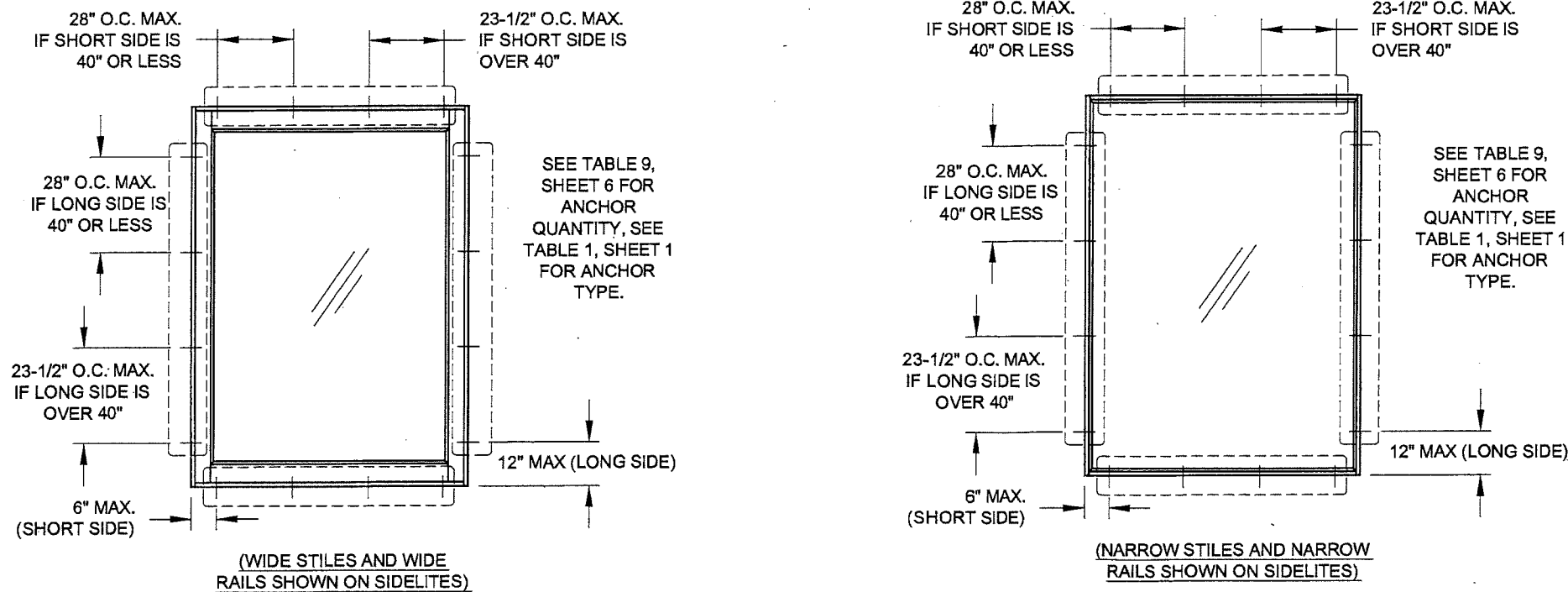
ANTHONY LYNN MILLER  
LICENSE  
No. 58705  
1/28/17  
STATE OF FLORIDA  
PROFESSIONAL ENGINEER  
A. LYNN MILLER, P.E.  
P.E.# 58705



TABLE 8:

		Sidelite/Transom Design Pressure (+/-, psf) for Glass Types 1 & 2															
		Long Side (in)															
		63-3/16	66-5/8	68	70	72	76	78	82	84	88	92	96	98	104	108	111
Short Side (in)	24	+/-70	+/-70	+/-70	+/-70	+/-70	+/-70	+/-70	+/-70	+/-70	+/-70	+/-70	+/-70	+/-70	+/-70	+/-70	+/-70
	28	+/-70	+/-70	+/-70	+/-70	+/-70	+/-70	+/-70	+/-70	+/-70	+/-70	+/-70	+/-70	+/-70	+/-70	+/-70	+/-70
	32	+/-70	+/-70	+/-70	+/-70	+/-70	+/-70	+/-70	+/-70	+/-70	+/-70	+/-70	+/-70	+/-70	+/-70	+/-70	+/-70
	36	+/-70	+/-70	+/-70	+/-70	+/-70	+/-70	+/-70	+/-70	+/-70	+/-70	+/-70	+/-70	+/-70	+/-70	+/-70	+/-70
	38-3/4	+/-70	+/-70	+/-70	+/-70	+/-70	+/-70	+/-70	+/-70	+/-70	+/-70	+/-70	+/-70	+/-70	+/-70	+/-70	+/-70
	40	+/-70	+/-70	+/-70	+/-70	+/-70	+/-70	+/-70	+/-70	+/-70	+/-70	+/-70	+/-70	+/-70	+/-70	+/-70	+/-70
	42	+/-70	+/-70	+/-70	+/-70	+/-70	+/-70	+/-70	+/-70	+/-70	+/-70	+/-70	+/-70	+/-70	+/-69.6	+/-68.5	
	44	+/-70	+/-70	+/-70	+/-70	+/-70	+/-70	+/-70	+/-70	+/-70	+/-69.6	+/-68.6	+/-67.7	+/-67.3			
	46	+/-70	+/-70	+/-70	+/-70	+/-70	+/-70	+/-70	+/-70	+/-69.4	+/-68.7	+/-67.6	+/-66.5	+/-65.6			
	48	+/-70	+/-70	+/-70	+/-70	+/-70	+/-69.9	+/-69.1	+/-67.6	+/-67	+/-65.8	+/-64.7					
	50	+/-70	+/-70	+/-70	+/-70	+/-70	+/-68.4	+/-67.6	+/-66	+/-65.4	+/-64.1						
	52	+/-70	+/-70	+/-70	+/-70	+/-69.1	+/-67.1	+/-66.2	+/-64.6	+/-63.9							
	54	+/-70	+/-70	+/-70	+/-69.2	+/-68	+/-65.9	+/-65	+/-63.4								
	56	+/-70	+/-70	+/-69.7	+/-68.3	+/-67.1	+/-64.9	+/-63.9									
	58	+/-70	+/-70	+/-69	+/-67.6	+/-66.3	+/-64										
	60	+/-70	+/-69.6	+/-68.5	+/-67	+/-65.6											
	62	+/-70	+/-69.2	+/-68	+/-66.5												
63-3/16	+/-70	+/-69.1	+/-67.9	+/-66.2													
66-5/8	+/-69.1	+/-68.9															

SIDELITE/TRANSOM INSTALLATION (O)



- NOTES:
- 1) NARROW OR WIDE STILES AND RAILS MAY BE MIXED WITHIN THE SAME SIDELITE/TRANSOM OR MULLED ASSEMBLY.
  - 2) SIDELITE/TRANSOM MAY BE A SINGLE, STAND-ALONE UNIT.
  - 3) FOR SIZES NOT SHOWN, ROUND UP TO THE NEXT AVAILABLE SHORT OR LONG DIMENSION.

**PRODUCT RENEWED**  
as complying with the Florida Building Code  
NOA-No. 18-1108.04

Expiration Date 01/23/2024

By *[Signature]*  
Miami-Dade Product Control

PRODUCT REVISED  
as complying with the Florida Building Code  
Acceptance No. 17-0504.06  
Expiration Date Jan 23, 2019  
By *[Signature]*  
Miami-Dade Product Control

Revision C) NO CHANGES THIS SHEET  
JR - 04/10/17

1070 TECHNOLOGY DRIVE  
N. VENICE, FL 34275  
(941)-480-1600

COPYRIGHT © 2017 PGT INDUSTRIES, INC.  
ALL RIGHTS RESERVED

5/7/13

J ROSOWSKI

MD-455.1

C

1070 TECHNOLOGY DRIVE  
N. VENICE, FL 34275  
(941)-480-1600

CERT. OF AUTH. #29296

VINYL FRENCH DOOR AND SLT/TR

DESIGN PRESSURE 2

FD-5455

NTS

5 OF 12

Scale

Sheet

Series

Desc. Title

ANTHONY LYNN MILLER  
LICENSE  
No. 58705  
STATE OF FLORIDA  
PROFESSIONAL ENGINEER

A. LYNN MILLER, P.E.  
P.E.# 58705

TABLE 9:

		Sidelite/Transom Anchor Quantity																													
		Long Side (in)																													
		63-3/16		66-5/8		68		70		72		76		78		82		84		88		92		96		98		104		108	
Anchor Group A	Anchor Groups B-D	Anchor Group A	Anchor Groups B-D	Anchor Group A	Anchor Groups B-D	Anchor Group A	Anchor Groups B-D	Anchor Group A	Anchor Groups B-D	Anchor Group A	Anchor Groups B-D	Anchor Group A	Anchor Groups B-D	Anchor Group A	Anchor Groups B-D	Anchor Group A	Anchor Groups B-D	Anchor Group A	Anchor Groups B-D	Anchor Group A	Anchor Groups B-D	Anchor Group A	Anchor Groups B-D	Anchor Group A	Anchor Groups B-D	Anchor Group A	Anchor Groups B-D	Anchor Group A	Anchor Groups B-D	Anchor Group A	Anchor Groups B-D
24	Short Side	2	2	2	2	2	2	2	2	2	2	2	2	2	2	2	2	2	2	2	2	2	2	2	2	2	2	2	2	2	2
	Long Side	4	4	4	4	4	4	4	4	4	4	4	4	4	4	4	5	5	5	5	5	5	5	5	5	5	5	6	5	5	6
28	Short Side	2	2	2	2	2	2	2	2	2	2	2	2	2	2	2	2	2	2	2	2	2	2	2	2	2	2	2	2	2	2
	Long Side	4	4	4	4	4	4	4	4	4	4	4	4	4	4	4	5	5	5	5	5	5	5	5	5	5	6	5	5	6	6
32	Short Side	2	2	2	2	2	2	2	2	2	2	2	2	2	2	2	2	2	2	2	2	2	2	2	2	2	2	2	2	2	2
	Long Side	4	4	4	4	4	4	4	4	4	4	4	4	4	4	4	5	5	5	5	5	5	5	5	5	5	6	5	5	6	6
36	Short Side	2	2	2	2	2	2	2	2	2	2	2	2	2	2	2	2	2	2	2	2	2	2	2	2	2	2	2	2	2	2
	Long Side	4	4	4	4	4	4	4	4	4	4	4	4	4	4	4	5	5	5	5	5	5	5	5	5	5	6	5	5	6	6
38-3/4	Short Side	2	2	2	2	2	2	2	2	2	2	2	2	2	2	2	2	2	2	2	2	2	2	2	2	2	2	2	2	2	2
	Long Side	4	4	4	4	4	4	4	4	4	4	4	4	4	4	4	5	5	5	5	5	5	5	5	5	5	6	5	5	6	6
40	Short Side	2	2	2	2	2	2	2	2	2	2	2	2	2	2	2	2	2	2	2	2	2	2	2	2	2	2	2	2	2	2
	Long Side	4	4	4	4	4	4	4	4	4	4	4	4	4	4	4	5	5	5	5	5	5	5	5	5	5	6	5	5	6	6
42	Short Side	3	3	3	3	3	3	3	3	3	3	3	3	3	3	3	3	3	3	3	3	3	3	3	3	3	3	3	3	3	3
	Long Side	5	4	5	4	5	4	5	4	5	4	5	4	5	4	5	4	6	4	6	5	7	5	7	5	8	5	8	5	9	6
44	Short Side	3	3	3	3	3	3	3	3	3	3	3	3	3	3	3	3	3	3	3	3	3	3	3	3	3	3	3	3	3	3
	Long Side	5	4	5	4	5	4	5	4	5	4	5	4	5	4	5	4	6	4	6	5	7	5	7	5	8	5	8	5	9	6
46	Short Side	3	3	3	3	3	3	3	3	3	3	3	3	3	3	3	3	3	3	3	3	3	3	3	3	3	3	3	3	3	3
	Long Side	5	4	5	4	5	4	5	4	5	4	5	4	5	4	5	4	6	4	6	5	7	5	7	5	8	5	8	5	9	6
48	Short Side	3	3	3	3	3	3	3	3	3	3	3	3	3	3	3	3	3	3	3	3	3	3	3	3	3	3	3	3	3	3
	Long Side	5	4	5	4	5	4	5	4	5	4	5	4	5	4	5	4	6	4	6	5	7	5	7	5	8	5	8	5	9	6
50	Short Side	3	3	3	3	3	3	3	3	3	3	3	3	3	3	3	3	3	3	3	3	3	3	3	3	3	3	3	3	3	3
	Long Side	5	4	5	4	5	4	5	4	5	4	5	4	5	4	5	4	6	4	6	5	7	5	7	5	8	5	8	5	9	6
52	Short Side	4	3	4	3	4	3	4	3	4	3	4	3	4	3	4	3	4	3	4	3	4	3	4	3	4	3	4	3	4	3
	Long Side	5	4	5	4	5	4	5	4	5	4	5	4	5	4	5	4	6	4	6	5	7	5	7	5	8	5	8	5	9	6
54	Short Side	4	3	4	3	4	3	4	3	4	3	4	3	4	3	4	3	4	3	4	3	4	3	4	3	4	3	4	3	4	3
	Long Side	5	4	5	4	5	4	5	4	5	4	5	4	5	4	5	4	6	4	6	5	7	5	7	5	8	5	8	5	9	6
56	Short Side	4	3	4	3	4	3	4	3	4	3	4	3	4	3	4	3	4	3	4	3	4	3	4	3	4	3	4	3	4	3
	Long Side	5	4	5	4	5	4	5	4	5	4	5	4	5	4	5	4	6	4	6	5	7	5	7	5	8	5	8	5	9	6
58	Short Side	4	3	4	3	4	3	4	3	4	3	4	3	4	3	4	3	4	3	4	3	4	3	4	3	4	3	4	3	4	3
	Long Side	5	4	5	4	5	4	5	4	5	4	5	4	5	4	5	4	6	4	6	5	7	5	7	5	8	5	8	5	9	6
60	Short Side	5	4	5	4	5	4	5	4	5	4	5	4	5	4	5	4	6	4	6	5	7	5	7	5	8	5	8	5	9	6
	Long Side	5	4	5	4	5	4	5	4	5	4	5	4	5	4	5	4	6	4	6	5	7	5	7	5	8	5	8	5	9	6
62	Short Side	5	4	5	4	5	4	5	4	5	4	5	4	5	4	5	4	6	4	6	5	7	5	7	5	8	5	8	5	9	6
	Long Side	5	4	5	4	5	4	5	4	5	4	5	4	5	4	5	4	6	4	6	5	7	5	7	5	8	5	8	5	9	6
63-3/16	Short Side	5	4	5	4	5	4	5	4	5	4	5	4	5	4	5	4	6	4	6	5	7	5	7	5	8	5	8	5	9	6
	Long Side	5	4	5	4	5	4	5	4	5	4	5	4	5	4	5	4	6	4	6	5	7	5	7	5	8	5	8	5	9	6
66-5/8	Short Side	5	4	5	4	5	4	5	4	5	4	5	4	5	4	5	4	6	4	6	5	7	5	7	5	8	5	8	5	9	6
	Long Side	6	4	6	4	6	4	6	4	6	4	6	4	6	4	6	4	7	4	7	5	7	5	8	5	8	5	9	6	7	6

NOTES:  
 1) NARROW OR WIDE STILES AND RAILS MAY BE MIXED WITHIN THE SAME SIDELITE/TRANSOM OR MULLED ASSEMBLY.  
 2) SIDELITE/TRANSOM MAY BE A SINGLE, STAND-ALONE UNIT.  
 3) FOR SIZES NOT SHOWN, ROUND UP TO THE NEXT AVAILABLE SHORT OR LONG DIMENSION.

**PRODUCT RENEWED**  
 as complying with the Florida Building Code  
 NOA-No. **18-1108.04**  
 Expiration Date **01/23/2024**

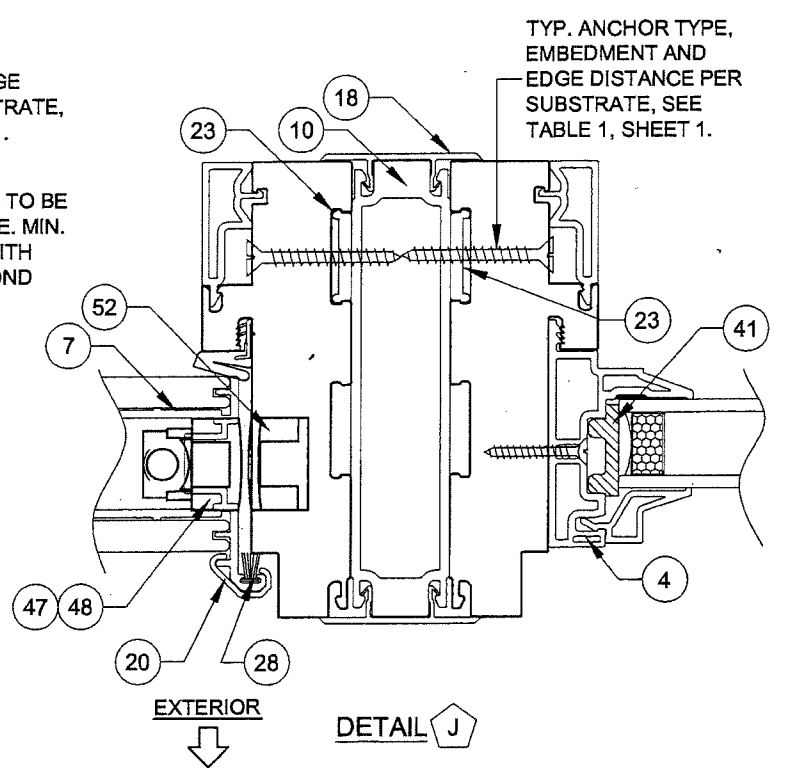
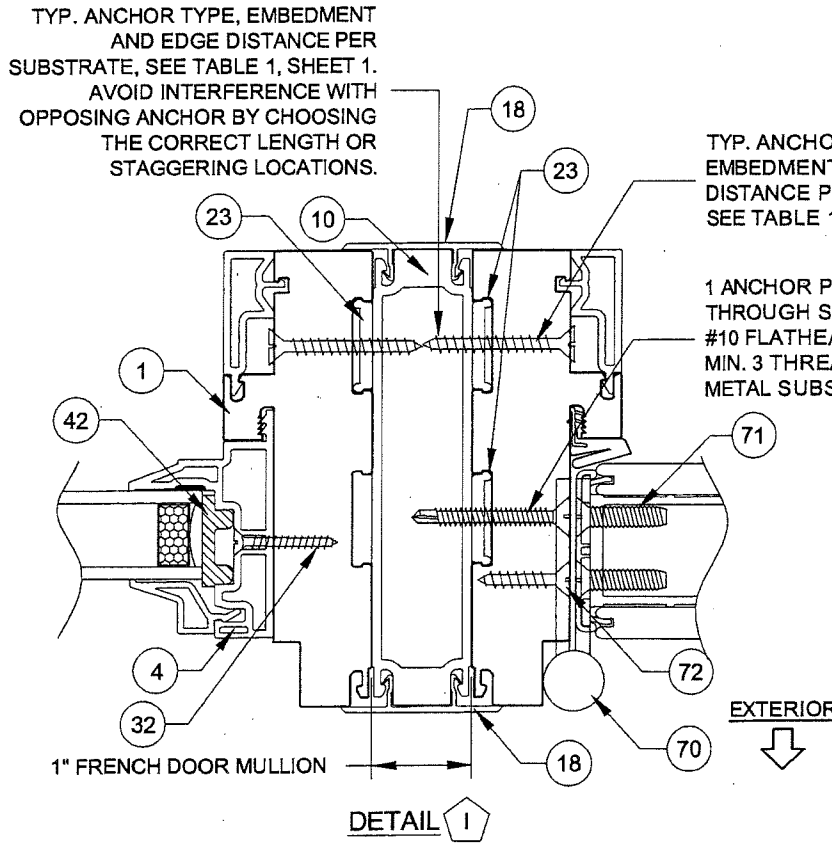
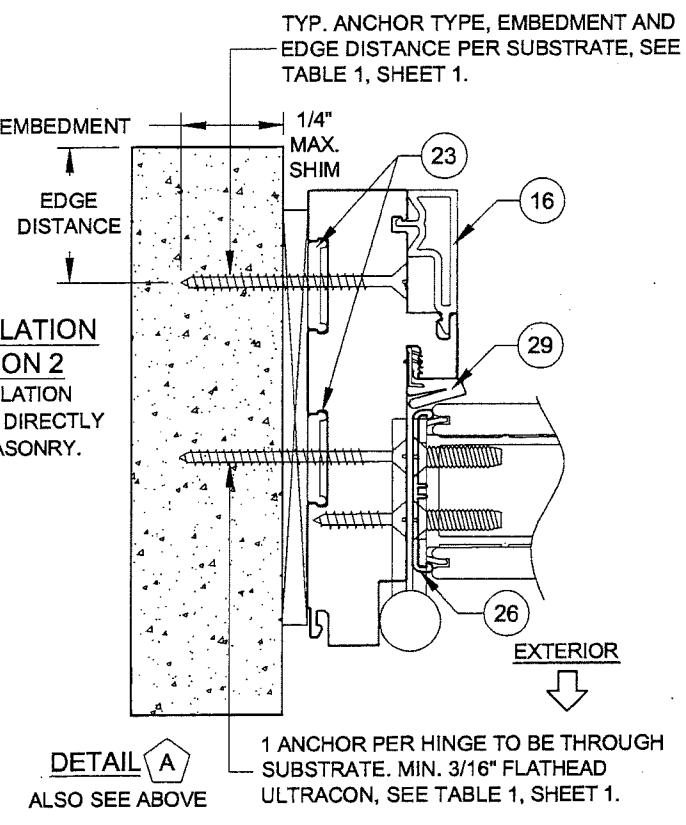
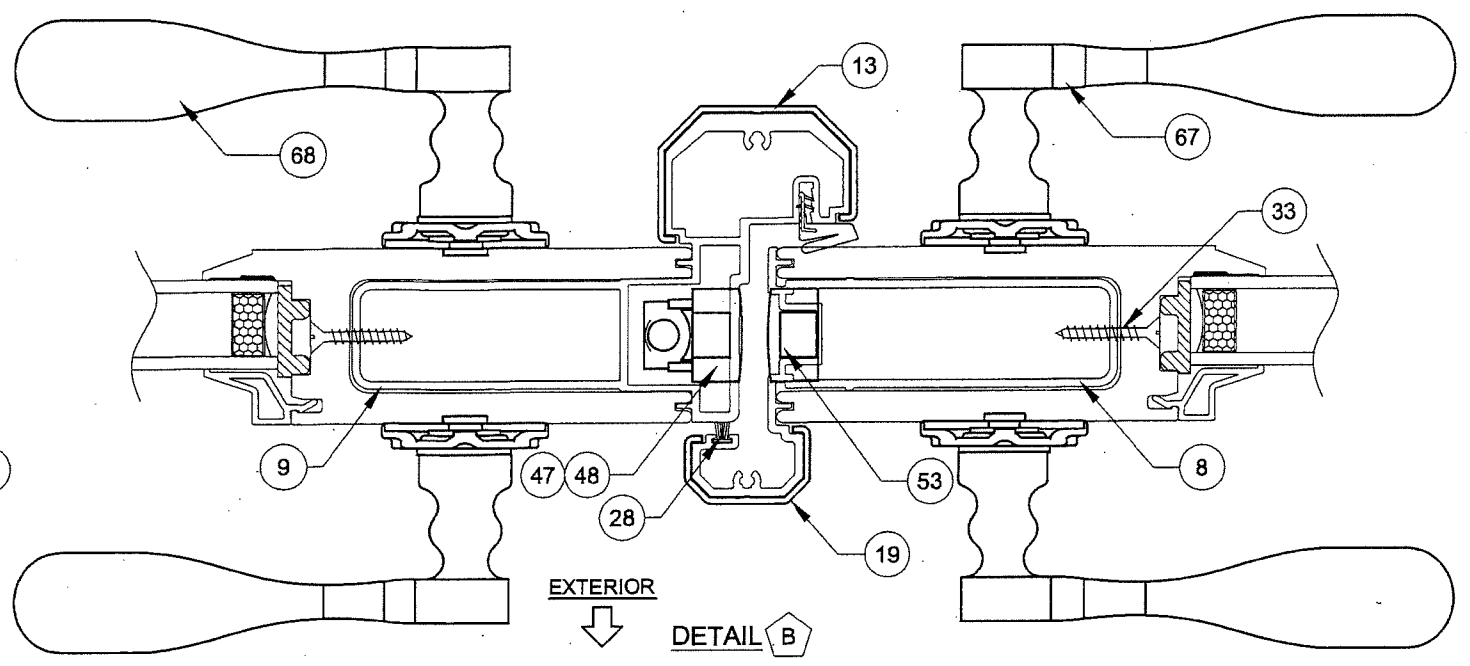
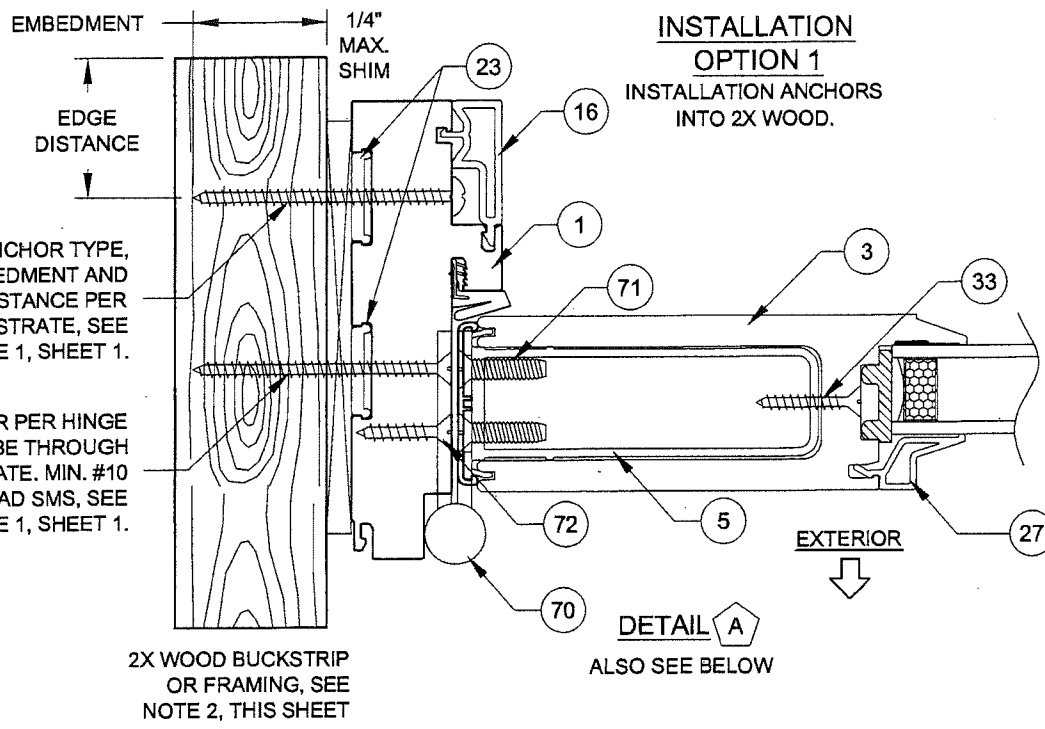
By *[Signature]*  
**Miami-Dade Product Control**

**PRODUCT REVISED**  
 as complying with the Florida Building Code  
 Acceptance No. **17-0504.06**  
 Expiration Date. **Jan 23, 2019**  
 By *[Signature]*  
**Miami Dade Product Control**

Revision  
 C) NO CHANGES THIS SHEET  
 JR - 04/10/17

1070 TECHNOLOGY DRIVE N. VENICE, FL 34275 (941)-480-1600 COPYRIGHT © 2017 PGT INDUSTRIES, INC. ALL RIGHTS RESERVED	Date	5/7/13	Rev.	C
	By	J ROSOWSKI	Sheet	6 OF 12
	Drawn	J ROSOWSKI	Scale	NTS
VINYL FRENCH DOOR AND SLT/TR SLT/TR ANCHOR QUANTITIES		DWG No.	MD-455.1	Series
CERT. OF AUTH. #29296 PGT		FD-5455		

ANTHONY LYNN MILLER  
 LICENSE  
 No. 58705  
*9/28/17*  
 STATE OF FLORIDA  
 PROFESSIONAL ENGINEER  
 A. LYNN MILLER, P.E.  
 P.E.# 58705



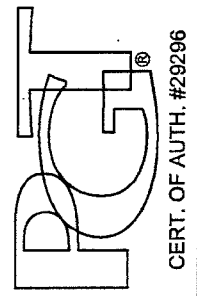
**INSTALLATION NOTES:**

- 1) USE ONLY SUBSTRATE-APPROPRIATE ANCHORS LISTED ON TABLE 1, SHEET 1. FOLLOW EMBEDMENT AND EDGE DISTANCE LIMITS. ANY INSTALLATION OPTION SHOWN MAY BE USED ON ANY SIDE OF THE DOOR, SIDELITE OR TRANSOM.
- 2) WOOD BUCKS DEPICTED ON THIS SHEET AS "1X", ARE BUCKS WHOSE TOTAL THICKNESS IS LESS THAN 1-1/2". 1X WOOD BUCKS ARE OPTIONAL IF UNIT CAN BE INSTALLED DIRECTLY TO MASONRY. WOOD BUCKS DEPICTED AS "2X" ARE 1-1/2" THICK OR GREATER. INSTALLATION TO THE SUBSTRATE OF WOOD BUCKS TO BE ENGINEERED BY OTHERS OR AS APPROVED BY THE AUTHORITY HAVING JURISDICTION.
- 3) FOR ATTACHMENT TO METAL: THE STRUCTURAL MEMBER SHALL BE OF A SIZE TO PROVIDE FULL SUPPORT TO THE FRAME OF THE DOOR, SIDELITE OR TRANSOM.
- 4) IF APPLICABLE, LOWEST DESIGN PRESSURE FROM DOOR, SIDELITE, TRANSOM OR MULLION APPLIES TO THE WHOLE SYSTEM.

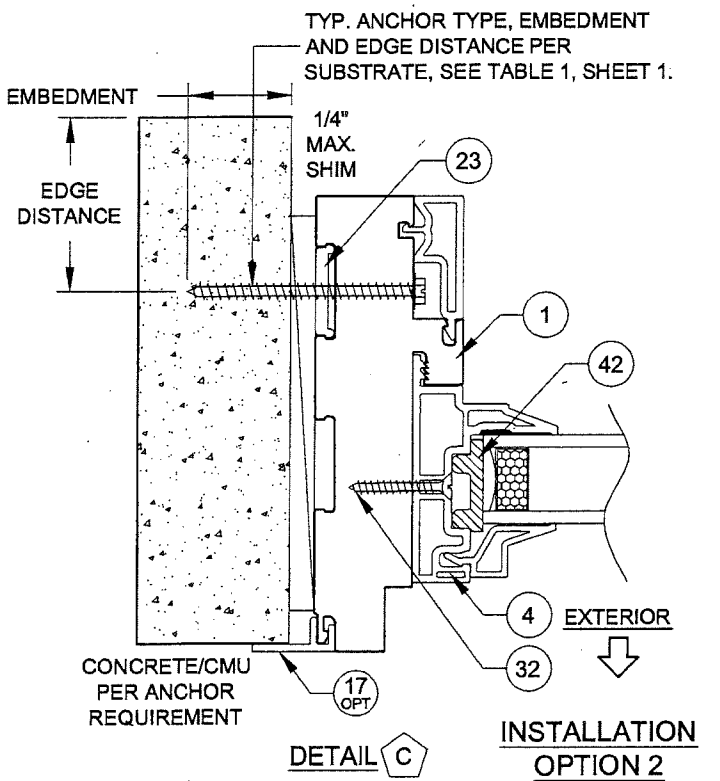
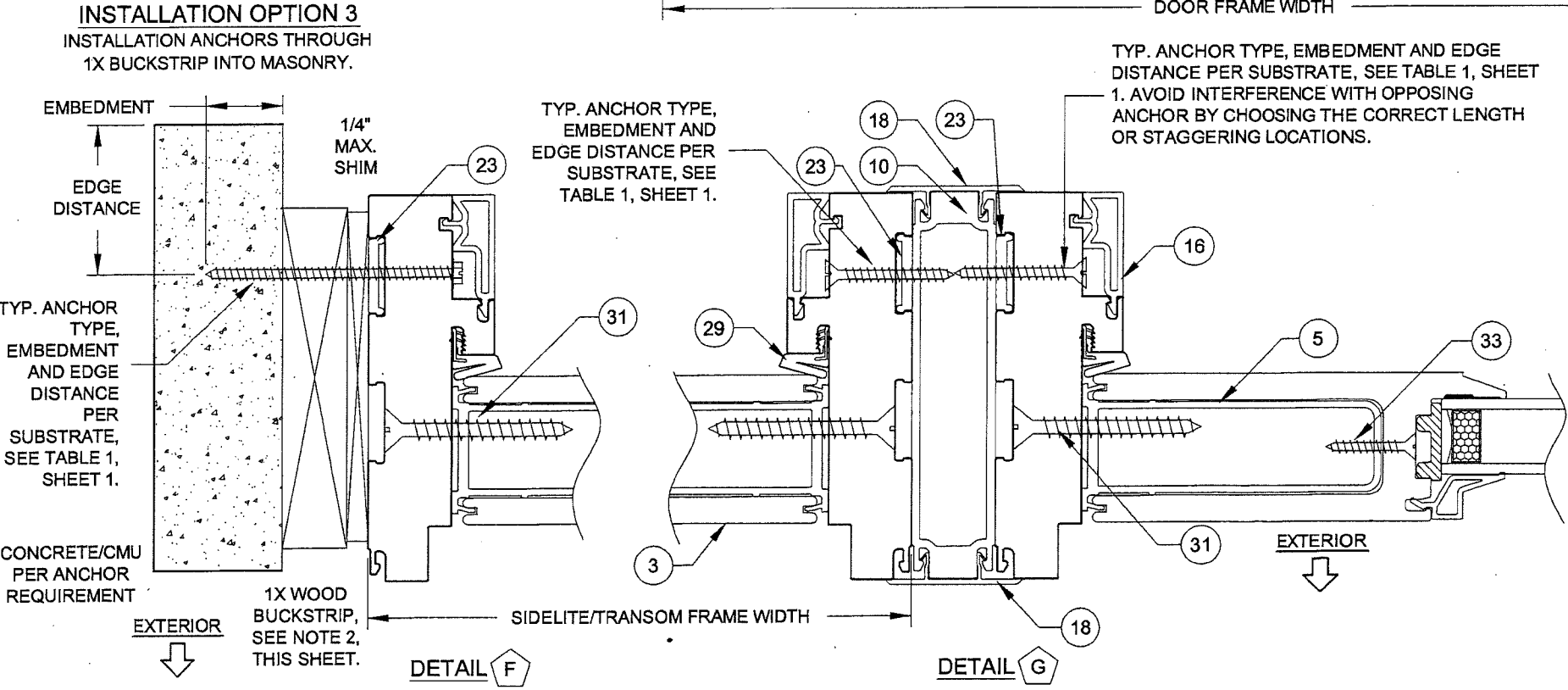
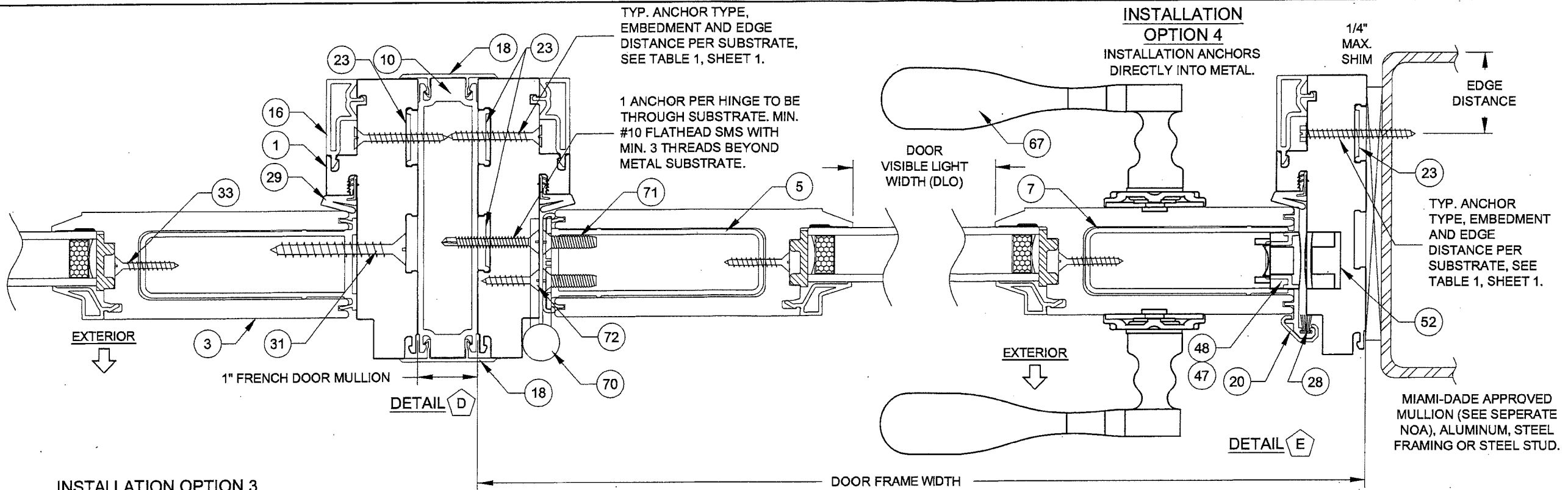
**PRODUCT RENEWED**  
 as complying with the Florida Building Code  
 NOA-No. 18-1108.04  
 Expiration Date 01/23/2024  
 By [Signature]  
 Miami-Dade Product Control

PRODUCT REVISED  
 as complying with the Florida Building Code  
 Acceptance No. 17-0504.06  
 Expiration Date Jan 23, 2019  
 By Manuel Jose  
 Miami-Dade Product Control

Revision C) NO CHANGES THIS SHEET  
 JR - 04/10/17

1070 TECHNOLOGY DRIVE N. VENICE, FL 34275 (941)-480-1600	DATE 5/7/13	DRAWN BY J ROSOWSKI	Rev.	C
			DWG No.	MD-455.1
 CERT. OF AUTH. #29296 VINYL FRENCH DOOR AND SLT/TR INSTALLATION 1	DATE	DRAWN BY	Sheet	7 OF 12
			Scale	NTS
			Series Desc. Title	FD-5455

ANTHONY LYNN MILLER  
 LICENSE  
 No. 58705  
4/28/17  
 STATE OF FLORIDA  
 PROFESSIONAL ENGINEER  
 A. LYNN MILLER, P.E.  
 P.E.# 58705



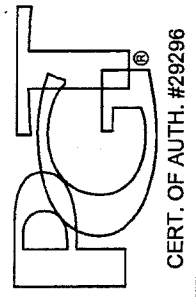
**INSTALLATION NOTES:**

- 1) USE ONLY SUBSTRATE-APPROPRIATE ANCHORS LISTED ON TABLE 1, SHEET 1. FOLLOW EMBEDMENT AND EDGE DISTANCE LIMITS. ANY INSTALLATION OPTION SHOWN MAY BE USED ON ANY SIDE OF THE DOOR, SIDELITE OR TRANSOM.
- 2) WOOD BUCKS DEPICTED ON THIS SHEET AS "1X", ARE BUCKS WHOSE TOTAL THICKNESS IS LESS THAN 1-1/2". 1X WOOD BUCKS ARE OPTIONAL IF UNIT CAN BE INSTALLED DIRECTLY TO MASONRY. WOOD BUCKS DEPICTED AS "2X" ARE 1-1/2" THICK OR GREATER. INSTALLATION TO THE SUBSTRATE OF WOOD BUCKS TO BE ENGINEERED BY OTHERS OR AS APPROVED BY THE AUTHORITY HAVING JURISDICTION.
- 3) FOR ATTACHMENT TO METAL: THE STRUCTURAL MEMBER SHALL BE OF A SIZE TO PROVIDE FULL SUPPORT TO THE FRAME OF THE DOOR, SIDELITE OR TRANSOM.
- 4) IF APPLICABLE, LOWEST DESIGN PRESSURE FROM DOOR, SIDELITE, TRANSOM OR MULLION APPLIES TO THE WHOLE SYSTEM.

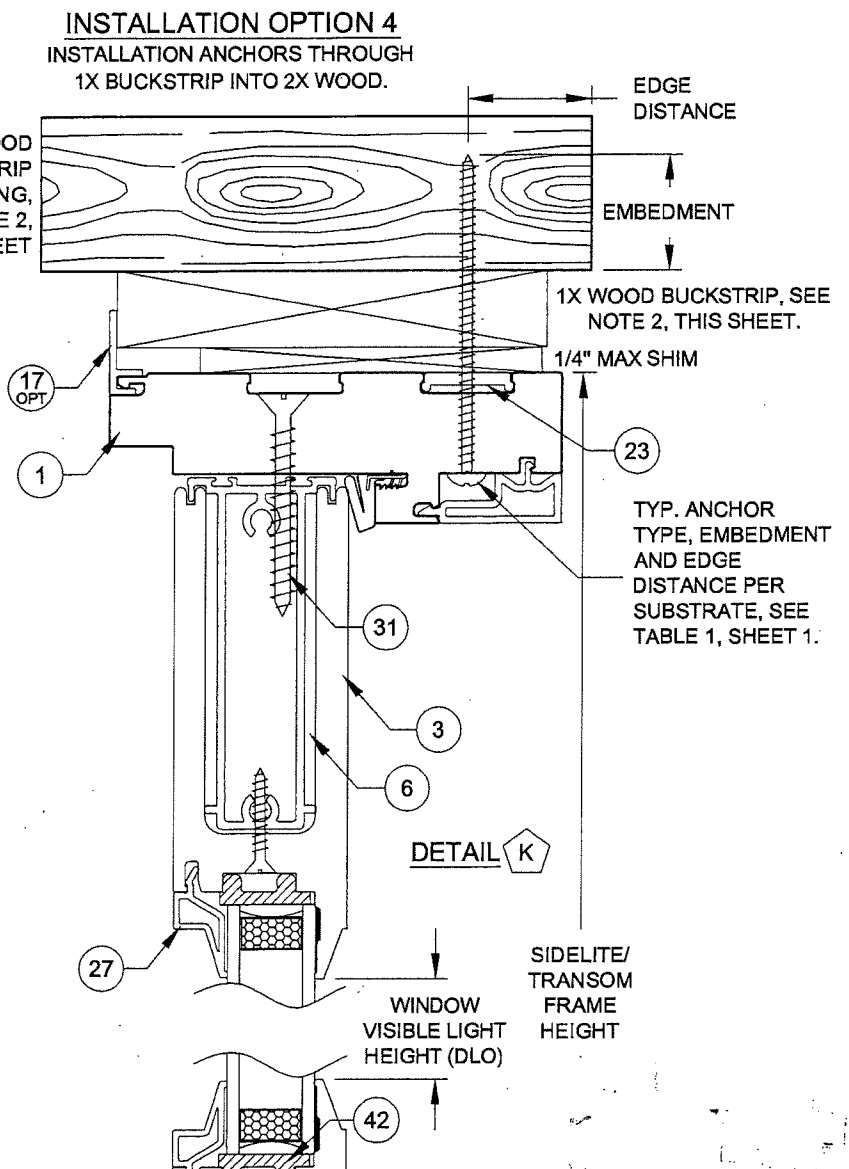
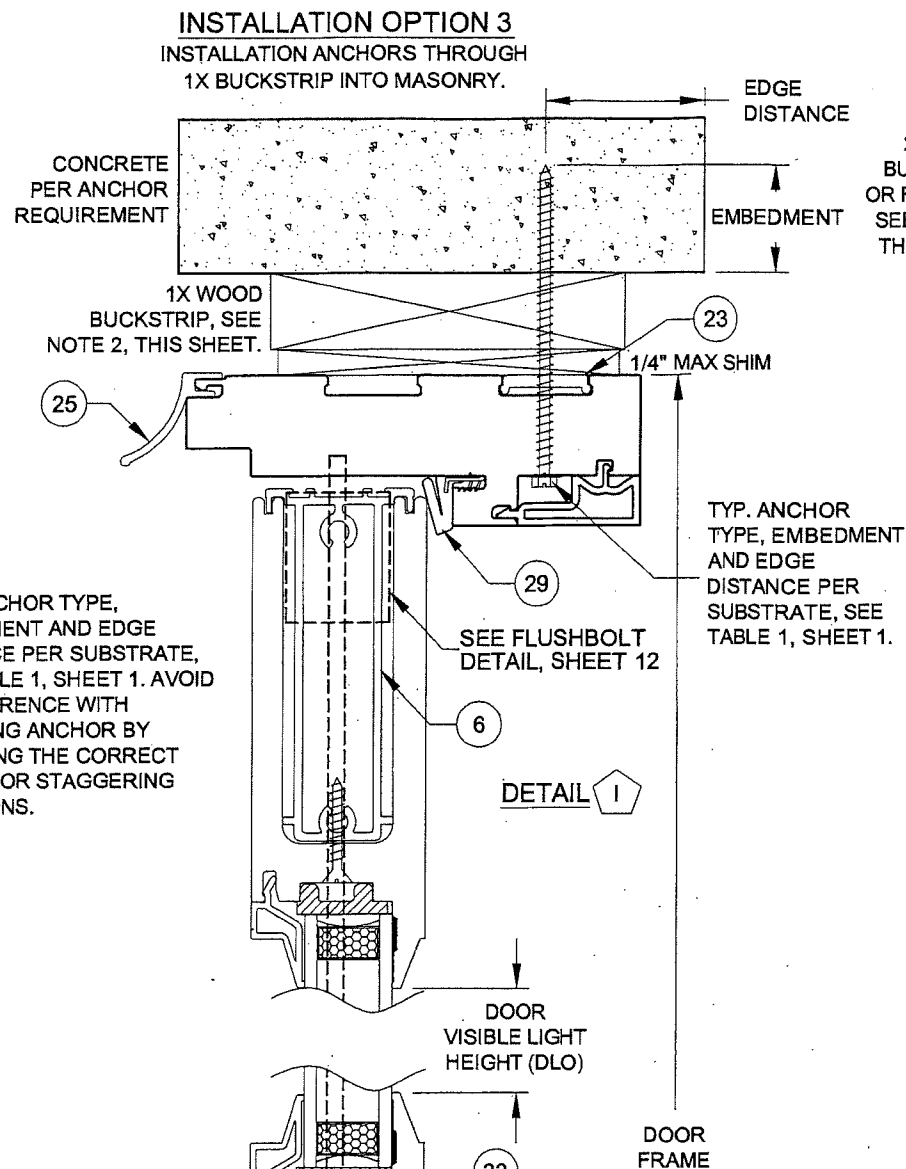
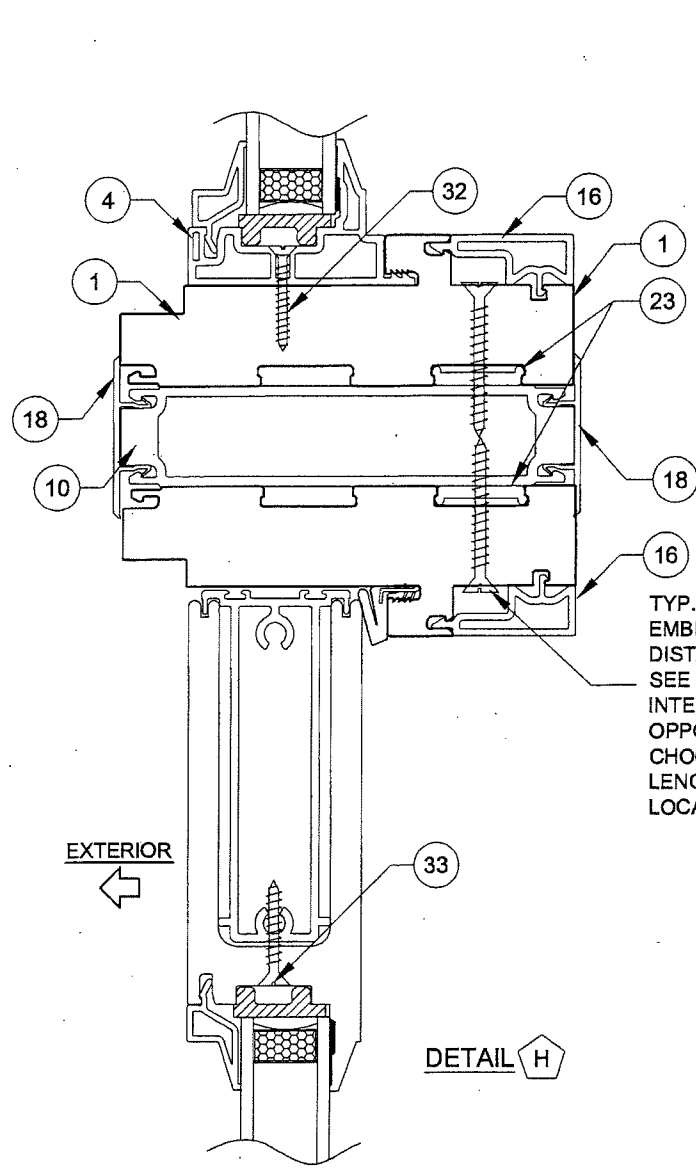
**PRODUCT RENEWED**  
 as complying with the Florida Building Code  
 NOA-No. **18-1108.04**  
 Expiration Date **01/23/2024**  
 By *[Signature]*  
 Miami-Dade Product Control

**PRODUCT REVISED**  
 as complying with the Florida Building Code  
 Acceptance No. **17-0504-058**  
 Expiration Date **Jan 23, 2019**  
 By *[Signature]*  
 Miami-Dade Product Control

Revision C) NO CHANGES THIS SHEET  
 JR - 04/10/17

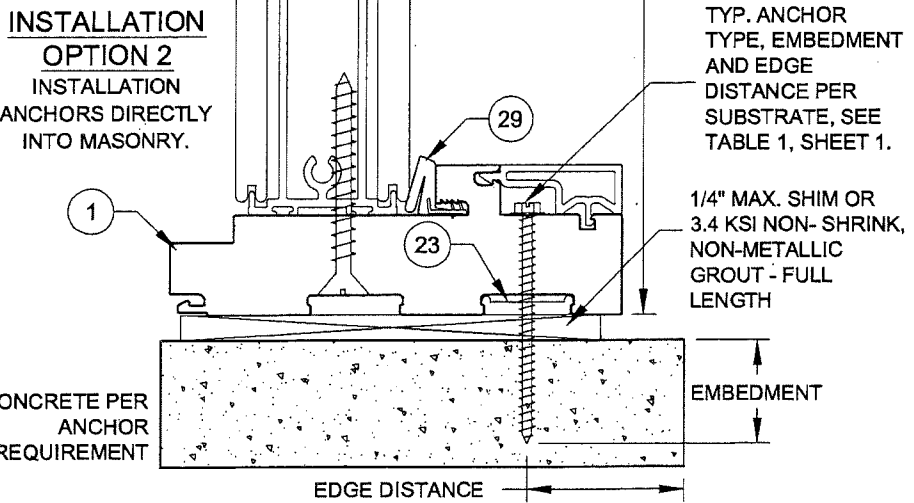
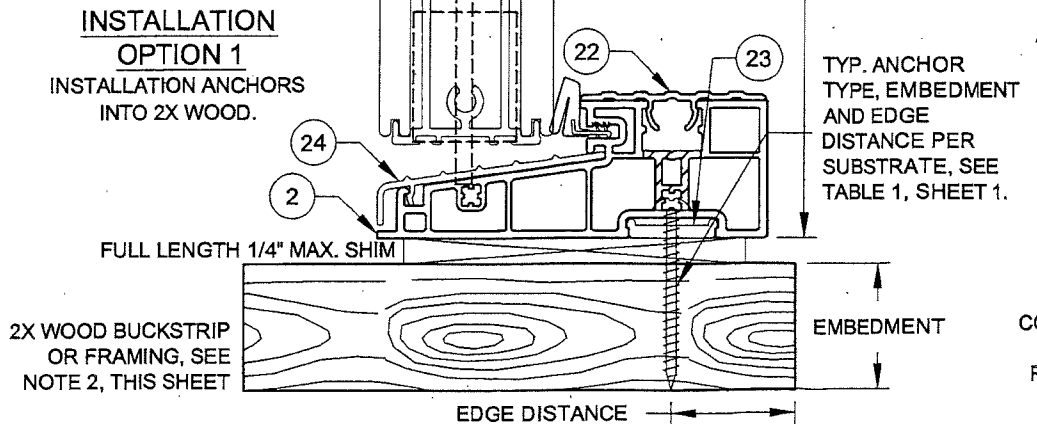
1070 TECHNOLOGY DRIVE N. VENICE, FL 34275 (941)-480-1600	COPYRIGHT © 2017 PGT INDUSTRIES, INC. ALL RIGHTS RESERVED	Date	5/7/13	Rev	C
		Drawn By	J ROSOWSKI	MD-455.1	
 CERT. OF AUTH. #29296 VINYL FRENCH DOOR AND SLT/TR INSTALLATION 2	FD-5455 NTS Scale	Sheet	8 OF 12		
		Series			
		Desc. Title			

**ANTHONY LYNN MILLER**  
 LICENSE  
 No. 58705  
*[Signature]*  
 4/28/17  
 STATE OF FLORIDA  
 PROFESSIONAL ENGINEER  
 A. LYNN MILLER, P.E.  
 P.E.# 58705



**INSTALLATION NOTES:**

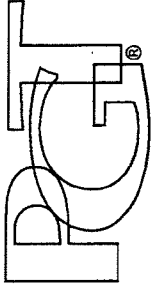
- 1) USE ONLY SUBSTRATE-APPROPRIATE ANCHORS LISTED ON TABLE 1, SHEET 1. FOLLOW EMBEDMENT AND EDGE DISTANCE LIMITS. ANY INSTALLATION OPTION SHOWN MAY BE USED ON ANY SIDE OF THE DOOR, SIDELITE OR TRANSOM.
- 2) WOOD BUCKS DEPICTED ON THIS SHEET AS "1X", ARE BUCKS WHOSE TOTAL THICKNESS IS LESS THAN 1-1/2". 1X WOOD BUCKS ARE OPTIONAL IF UNIT CAN BE INSTALLED DIRECTLY TO MASONRY. WOOD BUCKS DEPICTED AS "2X" ARE 1-1/2" THICK OR GREATER. INSTALLATION TO THE SUBSTRATE OF WOOD BUCKS TO BE ENGINEERED BY OTHERS OR AS APPROVED BY THE AUTHORITY HAVING JURISDICTION.
- 3) FOR ATTACHMENT TO METAL: THE STRUCTURAL MEMBER SHALL BE OF A SIZE TO PROVIDE FULL SUPPORT TO THE FRAME OF THE DOOR, SIDELITE OR TRANSOM.
- 4) IF APPLICABLE, LOWEST DESIGN PRESSURE FROM DOOR, SIDELITE, TRANSOM OR MULLION APPLIES TO THE WHOLE SYSTEM.



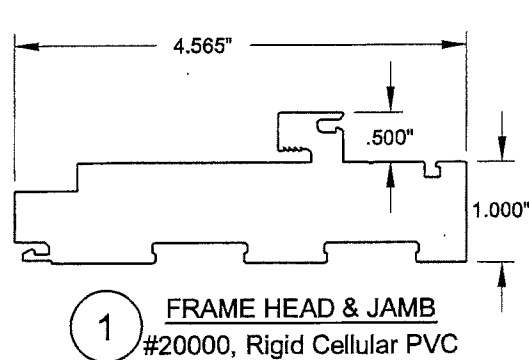
**PRODUCT RENEWED**  
 as complying with the Florida Building Code  
 NOA-No. 18-1108.04  
 Expiration Date 01/23/2024  
 By Miami-Dade Product Control

**PRODUCT REVISED**  
 as complying with the Florida Building Code  
 Acceptance No 17-0504-06  
 Expiration Date Jan 23, 2019  
 By Manuel Perez  
 Miami Dade Product Control

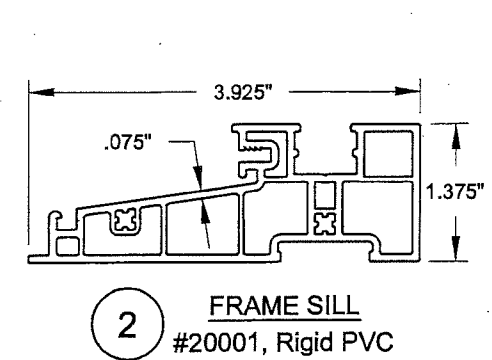
Revision C) REVISED # 22 - JR - 04/10/17

1070 TECHNOLOGY DRIVE N. VENICE, FL 34275 (941)-480-1600	COPYRIGHT © 2017 PGT INDUSTRIES, INC. ALL RIGHTS RESERVED	Date	5/7/13	Rev.	C			
		Drawn By	J ROSOWSKI	MD-455.1				
 CERT. OF AUTH. #29296 VINYL FRENCH DOOR AND SLT/TR INSTALLATION 3	DWG No. 9 OF 12 Scale NTS	Sheet 9 OF 12 Scale NTS	Series Desc. Title FD-5455	No. 58705 STATE OF FLORIDA PROFESSIONAL ENGINEER				

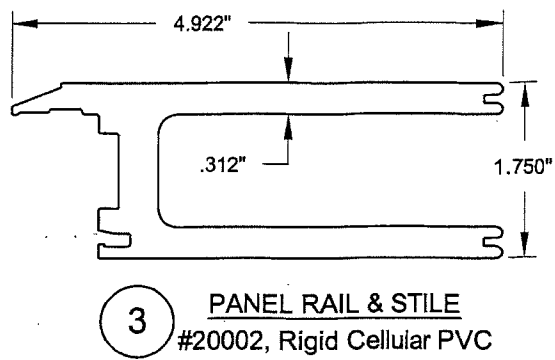
ANTHONY LYNN MILLER  
 LICENSE  
 No. 58705  
 02/28/17  
 STATE OF FLORIDA  
 PROFESSIONAL ENGINEER  
 A. LYNN MILLER, P.E.  
 P.E.# 58705



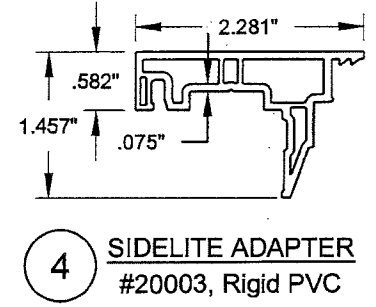
1 **FRAME HEAD & JAMB**  
#20000, Rigid Cellular PVC



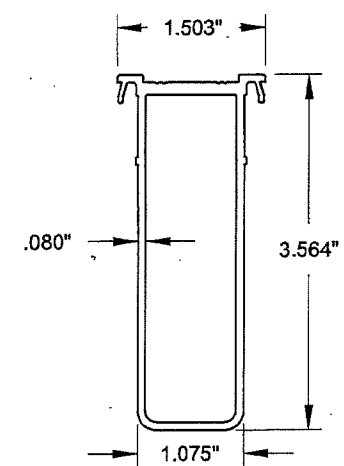
2 **FRAME SILL**  
#20001, Rigid PVC



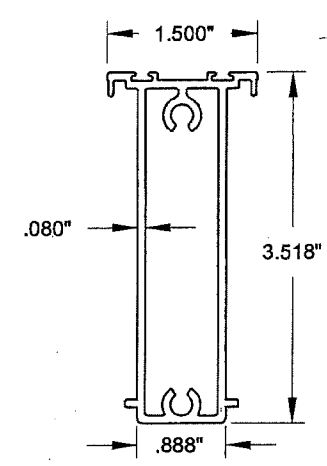
3 **PANEL RAIL & STILE**  
#20002, Rigid Cellular PVC



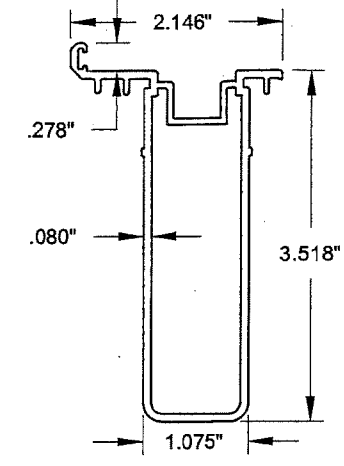
4 **SIDELITE ADAPTER**  
#20003, Rigid PVC



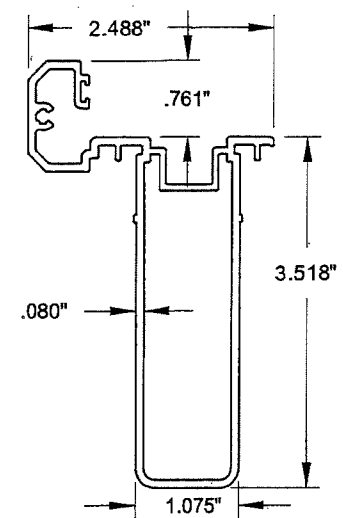
5 **HINGE STILE REINFORCEMENT**  
#20013, 6063-T6



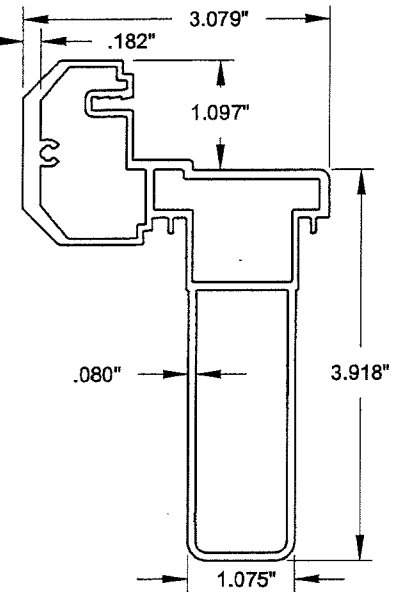
6 **TOP & BOTTOM RAIL REINFORCEMENT**  
#20014, 6063-T6



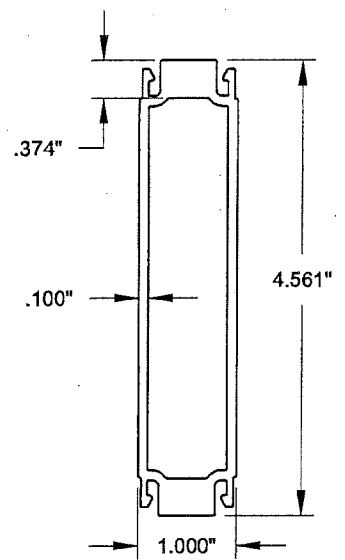
7 **PANEL STILE REINFORCEMENT**  
#20015, 6063-T6



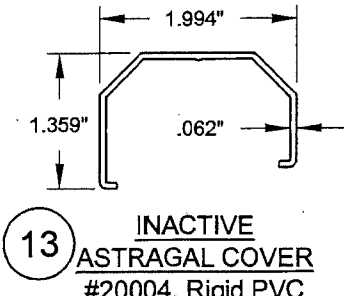
8 **ACTIVE ASTRAGAL**  
#20016, 6063-T6



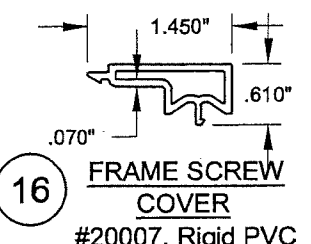
9 **INACTIVE ASTRAGAL**  
#20017, 6063-T6



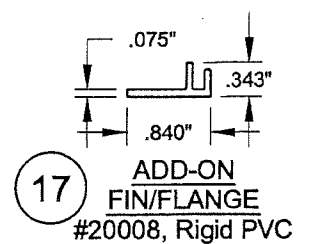
10 **1\"/>**



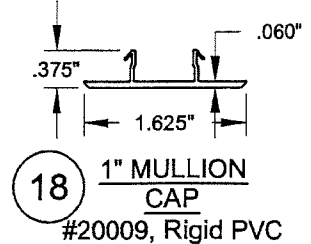
13 **INACTIVE ASTRAGAL COVER**  
#20004, Rigid PVC



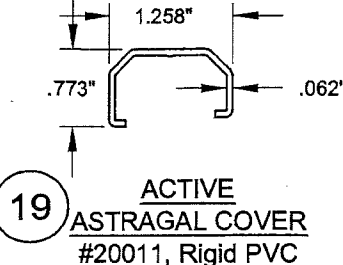
16 **FRAME SCREW COVER**  
#20007, Rigid PVC



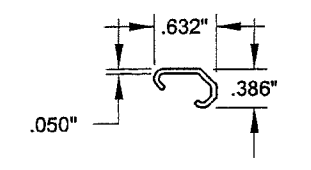
17 **ADD-ON FIN/FLANGE**  
#20008, Rigid PVC



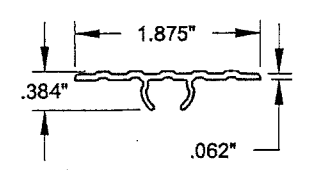
18 **1\"/>**



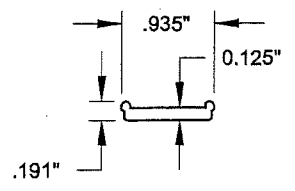
19 **ACTIVE ASTRAGAL COVER**  
#20011, Rigid PVC



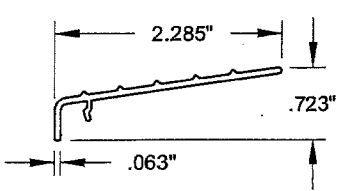
20 **SINGLE DOOR ASTRAGAL COVER**  
#20012, Rigid PVC



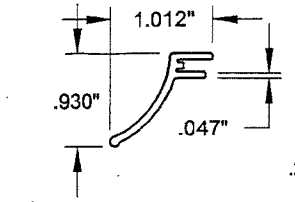
22 **THRESHOLD COVER**  
#20057, 6063-T5



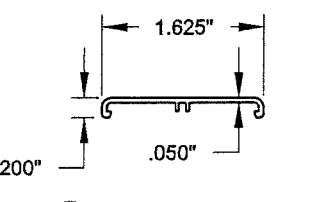
23 **ANCHOR PLATE**  
#19031, 6063-T6



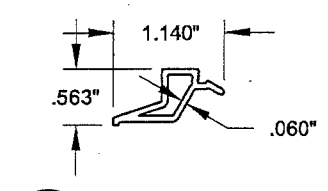
24 **THRESHOLD CAP**  
#20020, 6063-T6



25 **DRIP CAP**  
#20021, 6063-T6



26 **HINGE TRIM COVER**  
#20023, Rigid PVC



27 **7/8\"/>**

**PRODUCT RENEWED**  
as complying with the Florida Building Code  
NOA-No. **18-1108.04**  
Expiration Date **01/23/2024**  
By *[Signature]*  
Miami-Dade Product Control

**PRODUCT REVISED**  
as complying with the Florida Building Code  
Acceptance No. **17-0504.06**  
Expiration Date **12/23, 2019**  
By *[Signature]*  
Miami Dade Product Control

Revision C) REVISED # 22 - JR - 04/10/17

1070 TECHNOLOGY DRIVE N. VENICE, FL 34275 (941)-480-1600	COPYRIGHT © 2017 PGT INDUSTRIES, INC. ALL RIGHTS RESERVED	Date	5/7/13	Rev	C
		By	J ROSOWSKI	MD-455.1	
VINYL FRENCH DOOR AND SLT/TR EXTRUSIONS	CERT. OF AUTH. #29296	DWG No.	10 OF 12	Sheet	
		Scale	NTS	Series	FD-5455

**ANTHONY LYNN MILLER**  
LICENSE  
No. 58705  
*[Signature]*  
4/28/17  
STATE OF FLORIDA  
**PROFESSIONAL ENGINEER**  
A. LYNN MILLER, P.E.  
P.E.# 58705

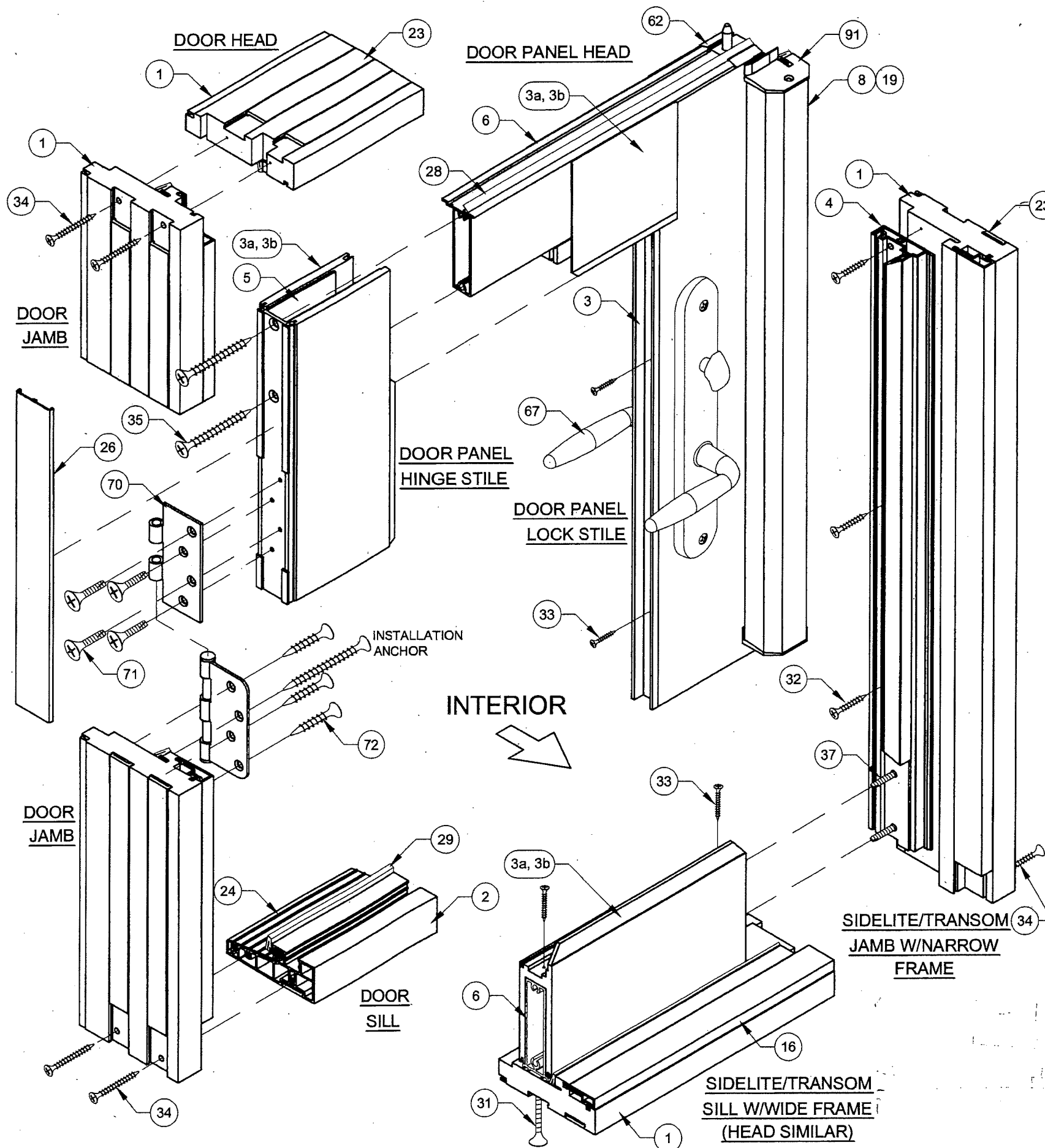
TABLE 10:

#	PGT Part #	Description	Material
1	20000	Door & Sidelite/Transom Main Frame	Cellular PVC
2	20001	Door Frame Sill	Rigid PVC
3	20002	Panel Stile & Rail	Cellular PVC
4	20003	Sidelite Adapter	Rigid PVC
5	20013	Hinge Stile Reinforcement	Alum., 6063-T6
6	20014	Panel Rail Reinforcement	Alum., 6063-T6
7	20015	Panel Stile Reinforcement	Alum., 6063-T6
8	20016	Active Astragal	Rigid PVC
9	20017	Inactive Astragal	Rigid PVC
10	20022	1" French Door Mullion	Alum., 6063-T6
13	20004	Inactive Astragal Cover	Rigid PVC
16	20007	Screw Cover	Rigid PVC
17	20008	Add-on Fin/Flange	Rigid PVC
18	20009	1" Mullion Cap	Rigid PVC
19	20011	Active Astragal Cover	Rigid PVC
20	20012	Single Door Astragal Cover	Rigid PVC
22	20057	Threshold Cover	Alum., 6063-T5
23	19031	Anchor Plate	Alum., 6063-T6
24	20020	Threshold Cover	Alum., 6063-T6
25	20021	Drip Cap	Rigid PVC
26	20023	Hinge Trim Cover	Rigid PVC
27	20024	7/8" Beveled Bead	Rigid PVC
28		Fin Weatherstrip	
29	1671/3	Frame Weatherstrip	
31	714FPT410XW	Frame-to-Wide Slab Screw: #14 X 1-1/2" Ph. FH, 16.625" O.C.	Stainless Steel
32	7S101X	Frame-to-Nar. Slab Screw: #10 X 1" Ph. FH, 28" O.C.	Stainless Steel
33	78X1FPT410	Reinforcement Screw: #8 X 1" Ph. FH, 18" O.C.	Stainless Steel
34	710X2FPAX	Frame Assembly Screw: #10 X 2" Ph. FH	Stainless Steel
35	714FPT410XW	W-W Slab Assembly Screw: #14 X 1-1/2" Ph. FH	Stainless Steel
37	71420X2.25	N-W Slab Assembly Screw: #14 X 2-1/4" Ph. FH	Stainless Steel
42	720026	Setting Block, (Duro.=85 +/- 5)	EPDM
43		Backbedding: Dow-995 or GE-7700	Silicone
47 - 73 see Hardware BOM, Table 11, Sheet 12			
90	20033	Inactive Astragal Cap	Acetal
91	20035	Active Astragal Cap	Acetal

ALL RIGID PVC AND RIGID CELLULAR PVC BY ENERGI FENESTRATION SOLUTIONS USA, INC OR VISION EXTRUSIONS, LTD.  
ANCHOR O.C. DIMENSIONS SHOWN AS MAXIMUM.

**DAYLITE OPENING (DLO) SIZES**

WHEN USING PART # 3: (WIDE RAILS OR STILES)  
 X DOOR FRAME HEIGHT - 12.1 = DLO HEIGHT  
 X DOOR FRAME WIDTH - 12.3 = DLO WIDTH  
 (XX DOOR FRAME HEIGHT / 2) - 12.1 = DLO HEIGHT  
 (XX DOOR FRAME WIDTH / 2) - 11.7 = DLO WIDTH  
 SLT/TR FRAME HEIGHT - 12.1 = DLO HEIGHT  
 SLT/TR FRAME WIDTH - 12.1 = DLO WIDTH  
 WHEN USING PART # 4: (NARROW RAILS OR STILES)  
 SLT/TR FRAME HEIGHT - 4.9 = DLO HEIGHT  
 SLT/TR FRAME WIDTH - 4.9 = DLO WIDTH



**PRODUCT RENEWED**  
 as complying with the Florida  
 Building Code  
 NOA-No. **18-1108.04**  
 Expiration Date **01/23/2024**  
 By *[Signature]*  
 Miami-Dade Product Control

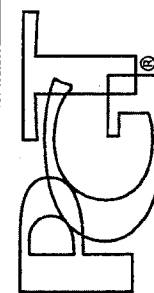
PRODUCT REVISED  
 as complying with the Florida  
 Building Code  
 Acceptance No. **17-0504.06**  
 Expiration Date **Jan 23, 2019**  
 By *[Signature]*  
 Miami-Dade Product Control

Revision C) REVISED # 22 - JR - 04/10/17

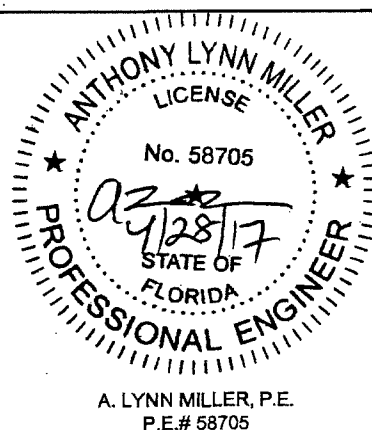
1070 TECHNOLOGY DRIVE  
 N. VENICE, FL 34275  
 (941)-480-1600

COPYRIGHT © 2017 PGT INDUSTRIES, INC.  
 ALL RIGHTS RESERVED

Date	5/7/13	By	J ROSOWSKI	Rev	C
Scale	NTS	Dwg No.	MD-455.1	Sheet	11 OF 12
Series Desc.	VINYL FRENCH DOOR AND SLT/TR CORNER DETAILS AND BOM				

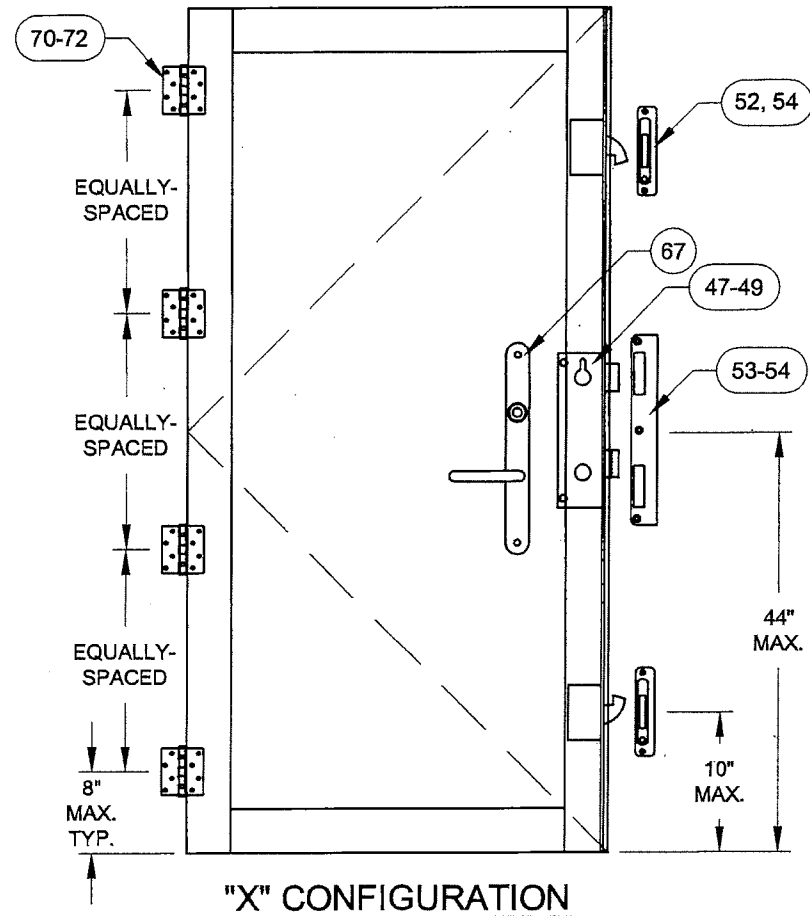


CERT. OF AUTH. #29296

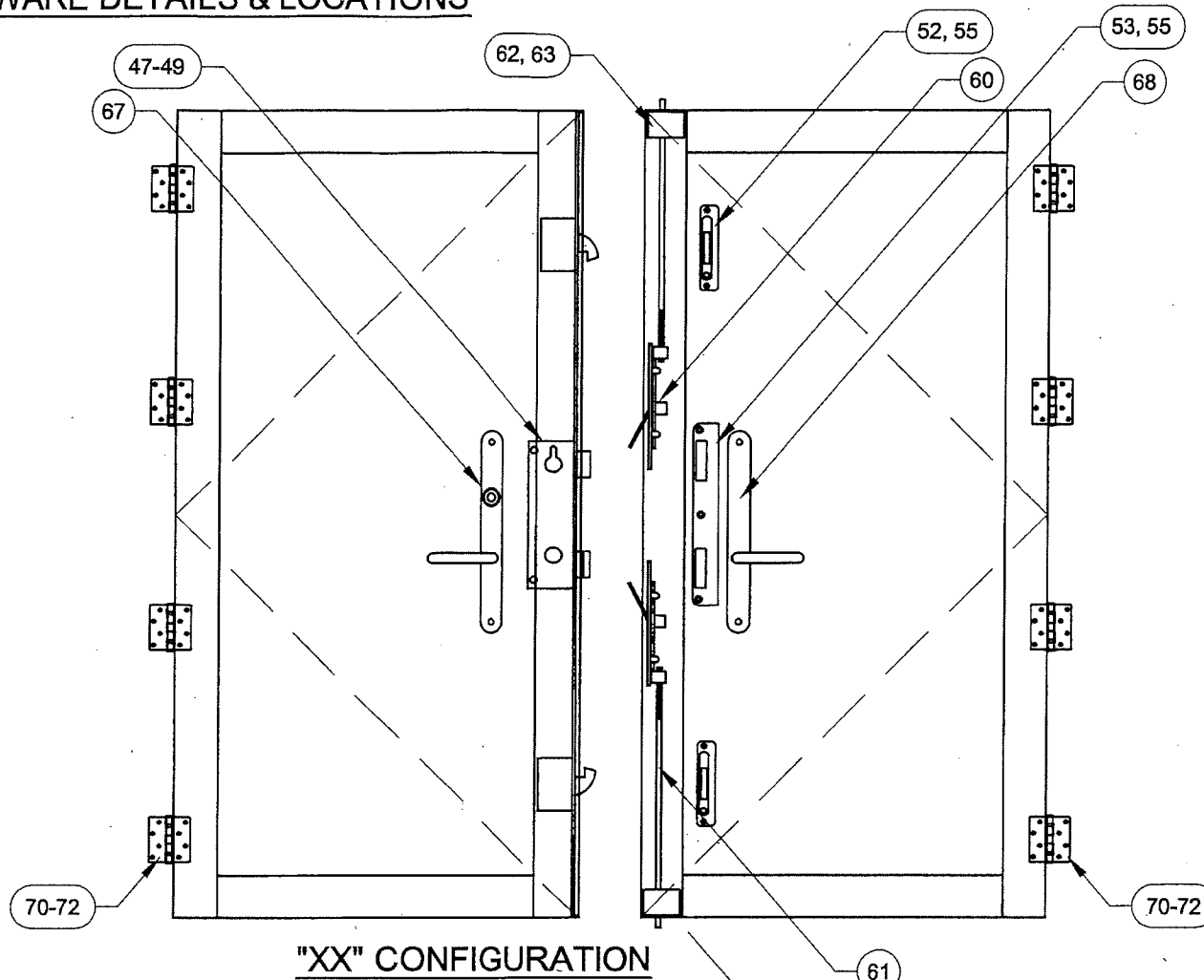


A. LYNN MILLER, P.E.  
 P.E.# 58705

### HARDWARE DETAILS & LOCATIONS



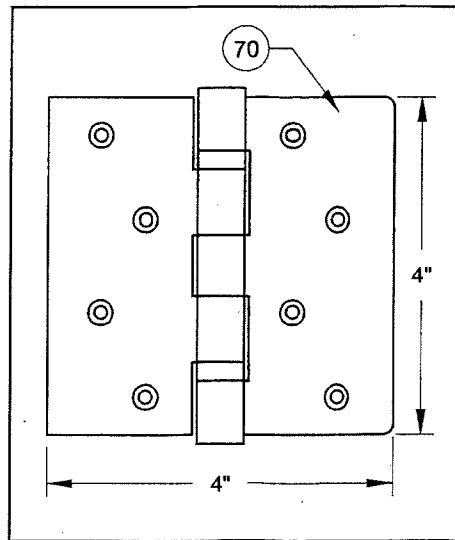
"X" CONFIGURATION



"XX" CONFIGURATION

SEE DETAIL, TOP LOCK SIMILAR

HINGE DETAIL:



9/16" BEYOND PANEL

FLUSH BOLT DETAIL:

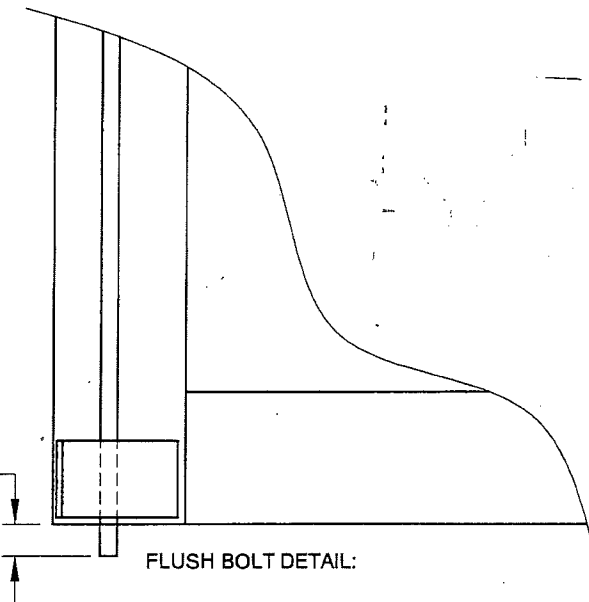


TABLE 11:

#	PGT Part #	Description	Material
47	666032701	P3000 3-PT Rhino Lock (6'8"), Amesbury Inc.	Stainless Steel
48	666032702	P3000 3-PT Rhino Lock (over 6'8"), Amesbury Inc.	Stainless Steel
49	71032X1FPFX	Rhino Lock Screw: 10-32 X 1" Phil. FH	Stainless Steel
52	20027	Adjustable Strike Plate Assembly, Amesbury Inc.	Stainless Steel
53	20028	Center Strike Plate Assembly, Amesbury Inc.	Stainless Steel
54	7S101X	Strike Plate Screw, (X): #10 X 1" Phil. FH	410 S.S.
55	78X12PFHUX	Strike Plate Screw, (XX): #8 X 1/2" Phil. FH	410 S.S.
60	7SB1202	Flush Bolt (XX)	
61	7803725	Flush Bolt Rod (XX)	
62	420034	Flush Bolt Guide (XX)	
63	7832X12FPXP	Flush Bolt Guide Screw: 8-32 X 1/2" Phil. FH	
64	48033N	Guide Pin (XX)	
65	78036	Flush Bolt Strike Plate (XX), Amesbury Inc.	Stainless Steel
66	7832X12FPXP	Flush Bolt Strike Plate Screw, (XX): #8 X 3/4" Phil. FH	410 S.S.
67	varies	Handle/Lever	
68	varies	Dummy Handle/Lever	
70	20025	Butt Hinge, Amesbury Inc.	Stainless Steel
71	71032X1FPFX	Hinge, Slab Screw: #10-32 X 1" Phil FH	Stainless Steel
72	7S101X	Hinge, Frame Screw: #10 X 1" Phil. FH	Stainless Steel

**PRODUCT RENEWED**  
as complying with the Florida Building Code  
NOA-No. 18-1108.04  
Expiration Date 01/23/2024  
By *[Signature]*  
Miami-Dade Product Control

**PRODUCT REVISED**  
as complying with the Florida Building Code  
Acceptance No. 17-0504.06  
Expiration Date Jan. 23, 2019  
By *[Signature]*  
Miami Dade Product Control

Revision  
C) NO CHANGES THIS SHEET  
JR - 04/10/17

1070 TECHNOLOGY DRIVE  
N. VENICE, FL 34275  
(941) 480-1600

COPYRIGHT © 2017 PGT INDUSTRIES, INC.  
ALL RIGHTS RESERVED

PGT  
CERT. OF AUTH. #29286

VINYL FRENCH DOOR AND SLT/TR  
DESIGN PRESSURE TABLES 3

12 OF 12  
FD-5455  
NTS

J ROSOWSKI  
Date  
By  
No. DWG  
Rev. C  
MD-455.1

ANTHONY LYNN MILLER  
LICENSE  
No. 58705  
4/28/17  
STATE OF FLORIDA  
PROFESSIONAL ENGINEER  
A. LYNN MILLER, P.E.  
P.E.# 58705